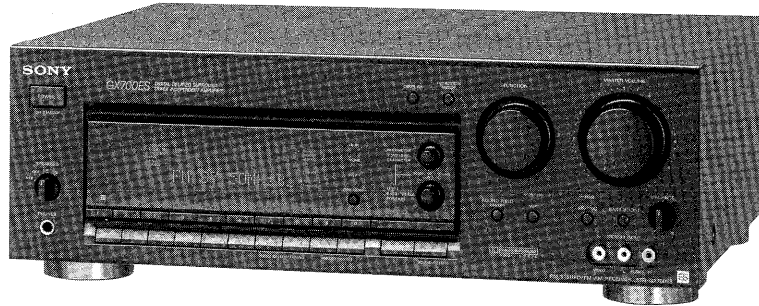



STR-GX700ES

SERVICE MANUAL

US Model
Canadian Model



Manufactured under license from Dolby Laboratories Licensing Corporation.
"DOLBY" and the double-D symbol  are trademarks of Dolby Laboratories Licensing Corporation.

SPECIFICATIONS

Audio Power Specifications

POWER OUTPUT AND TOTAL HARMONIC DISTORTION

With 8-ohm load, both channels driven, from 20 - 20,000 Hz, rated 70 watts per channel minimum RMS power, with no more than 0.15 % total harmonic distortion from 250 milliwatts to rated output. (U.S.A. model only)

	Surround mode
FRONT (at 20 Hz-20 kHz)	70 W + 70 W (4 or 8 ohms)
CENTER * (at 20 Hz-20 kHz)	70 W (4 or 8 ohms)
REAR (at 1 kHz)	25 W + 25 W (28 ohms)

* (only in the DOLBY SUR and THEATER modes)

Other Specifications

Amplifier section (Front)

Dynamic power output (in the stereo mode)	8 ohms, at 1kHz IHF	100 W + 100 W
	4 ohms, at 1kHz IHF	140 W + 140 W
	2 ohms, at 1kHz IHF	170 W + 170 W
Frequency response	PHONO	RIAA equalization curve ± 0.5 dB
	CD, DAT/MD, TAPE, TV, LD, VIDEO 1, 2, 3	10 Hz - 50 kHz ± 1 dB
Damping factor (8 ohms, at 1kHz)		50

Input sensitivity/impedance	PHONO MM	25 mV, 50 kilohms
	CD	300 mV, 50 kilohms
	DAT/MD, TAPE, TV, LD, VIDEO 1, 2, 3	350 mV, 50 kilohms
S/N	PHONO MM	75 dB 75 dB ** (A, 2.5mV)
	CD, DAT/MD, TAPE, TV, LD, VIDEO 1, 2, 3	82 dB 82 dB ** (A, 150mV)
	DAT/MD, REC OUT TAPE REC OUT, VIDEO 1, 2	250 mV, 10 kilohms
	HEADPHONES	Accepts headphones of high and low impedance
	MIX OUT	1V, 1 kilohm
MUTING		- 20dB
BASS BOOST		+10 dB at 70Hz
Tone		BASS : +10 dB at 100 Hz TREBLE : ± 8 dB at 10 kHz

** 76IHF

- Continued on page 2 -

FM STEREO/FM-AM RECEIVER
SONY[®]

Digital signal processor section

Surround	DELAY TIME	In DOLBY SUR mode 15.0 ms – 30.0 ms, 5 ms step In other sound field modes 5 ms – 30.0 ms, 5 ms step
	REAR LEVEL	+10 • – 15 dB, 1dB step
	CENTER LEVEL ***	+10 • – 15 dB, 1dB step
	Input balance	Automatic

*** (only in the DOLBY SUR and THEATER modes)

FM tuner section

Frequency range		97.5 - 108.0 MHz
Antenna terminals		75 ohms, unbalanced
Sensitivity at 50 dB		18.3 dBf, 4.5 μ V (mono) 38.3 dBf, 45 μ V (stereo)
Usable sensitivity		11.2 dBf, 2 μ V (IHF)
S/N	Mono	76 dB
	Stereo	70 dB
Harmonic distortion at 1kHz	Mono	0.3 %
	Stereo	0.5 %
Separation		45 dB at 1 kHz
Frequency response		30 Hz - 19 kHz $\pm \frac{1}{2}$ dB
Auto tuning threshold	Low	30 dBf
	High	50 dBf

AM tuner section

Frequency range	500 - 1,710 kHz (with 10 kHz interval) 531 - 1,710 kHz (with 9 kHz interval)
Antenna	Loop antenna
Usable sensitivity	50 dB/m (at 1,000 kHz or 900 kHz)
S/N	54 dB (at 50 mV/m)
Harmonic distortion	0.5 % (50 mV/m, 400 Hz)
Selectivity	35 dB (9 kHz), 40 dB (10 kHz)
Auto tuning threshold	35 dB/m

Video section

Inputs	VIDEO 1, 2, 3, TV, LD : 1 Vp-p 75 ohms
Outputs	VIDEO 1, 2, MONITOR : 1 Vp-p 75 ohms

General

System	Tuner section	PLL quartz-locked digital synthesizer system
	Preamplifier section	Low-noise NF type equalizer
	Power amplifier section	Pure-complimentary SEPP
Power requirements		120 V AC, 60 Hz
Power consumption		USA model : 220 W Canadian model : 310 VA
AC outlets		Two switched, total 120 W/1A max.
Dimensions (including projecting parts and controls)		Approx. 430×148×365 mm (w/h/d) (17 × 5 ¹³ / ₁₆ × 14 ³ / ₈ inches)
Mass		Approx. 10.0 kg (22 lb 1 oz)

Supplied accessories FM wire antenna (1)
 AM loop antenna (1)
 Remote control (1)
 Sony Batteries SUM-3 (NS) (2)

- You can change the AM tuning interval to 9 kHz. After tuning in any AM station, turn off the power of the receiver once, while holding down the INDEX SELECT/TUNING + button, press the POWER switch. When you change the interval, all the preset stations will be erased. To reset the interval, repeat the same procedure.

Design and specifications are subject to change without notice.

SAFETY CHECK-OUT

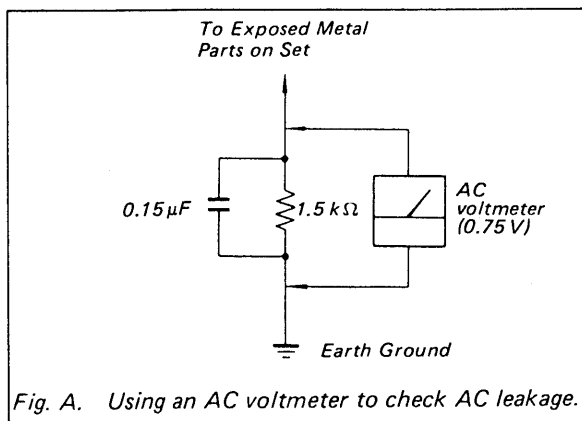
After correcting the original service problem, perform the following safety check before releasing the set to the customer:

Check the antenna terminals, metal trim, "metallized" knobs, screws, and all other exposed metal parts for AC leakage. Check leakage as described below.

LEAKAGE TEST

The AC leakage from any exposed metal part to earth ground and from all exposed metal parts to any exposed metal part having a return to chassis, must not exceed 0.5 mA (500 microampers). Leakage current can be measured by any one of three methods.

1. A commercial leakage tester, such as the Simpson 229 or RCA WT-540A. Follow the manufacturers' instructions to use these instruments.
2. A battery-operated AC milliammeter. The Data Precision 245 digital multimeter is suitable for this job.
3. Measuring the voltage drop across a resistor by means of a VOM or battery-operated AC voltmeter. The "limit" indication is 0.75 V, so analog meters must have an accurate low-voltage scale. The Simpson 250 and Sanwa SH-63Trd are examples of a passive VOM that is suitable. Nearly all battery operated digital multimeters that have a 2V AC range are suitable. (See Fig. A)

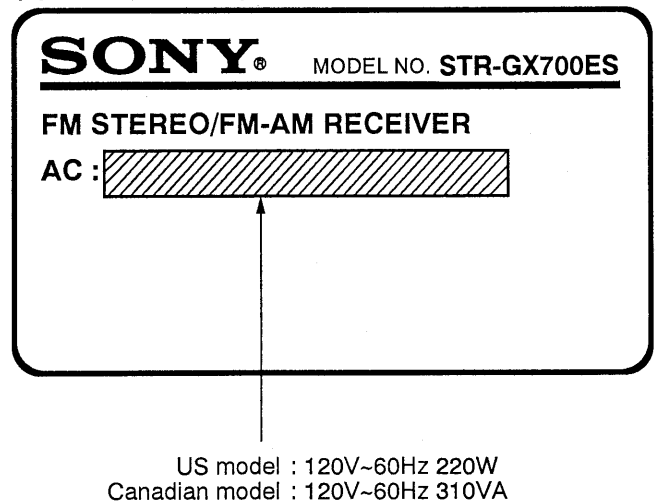


SAFETY-RELATED COMPONENT WARNING!!
COMPONENTS IDENTIFIED BY MARK \triangle OR DOTTED LINE WITH MARK \triangle ON THE SCHEMATIC DIAGRAMS AND IN THE PARTS LIST ARE CRITICAL TO SAFE OPERATION. REPLACE THESE COMPONENTS WITH SONY PARTS WHOSE PART NUMBERS APPEAR AS SHOWN IN THIS MANUAL OR IN SUPPLEMENTS PUBLISHED BY SONY.

TABLE OF CONTENTS

Section	Title	Page
	specifications	1
1. GENERAL		
	Location and Function of controls	4
2. EXPLANATION OF IC TERMINALS		7
3. DIAGRAMS		
	3-1. Block Diagram	9
	3-2. Circuit Boards Location	13
	3-3. Printed Wiring Boards (Surround Section)	14
	3-4. Schematic Diagram (Surround Section)	17
	3-5. Schematic Diagram (AMP Section)	21
	3-6. Printed Wiring Boards (AMP Section)	25
	3-7. Printed Wiring Boards (Display Section)	29
	3-8. Schematic Diagram (Display Section)	33
4. EXPLODED VIEWS		
	4-1. Front panel Section	39
	4-2. Chassis Section	40
5. ELECTRICAL PARTS LIST		41

MODEL IDENTIFICATION (Specification Label)



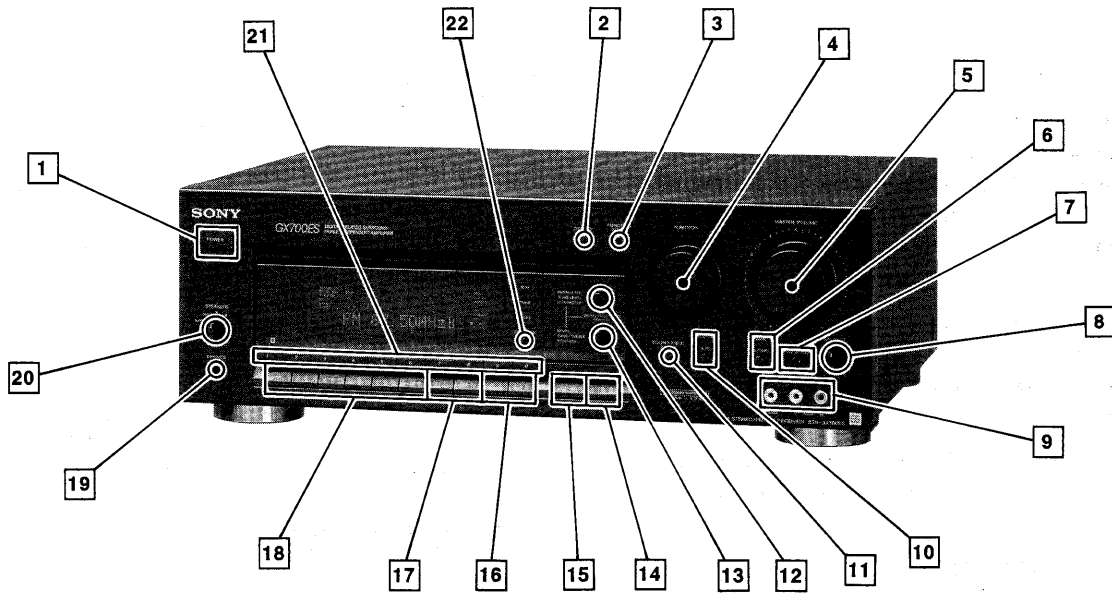
ATTENTION AU COMPOSANT AYANT RAPPORT À LA SÉCURITÉ!

LES COMPOSANTS IDENTIFIÉS PAR UNE MARQUE \triangle SUR LES DIAGRAMMES SCHÉMATIQUES ET LA LISTE DES PIÈCES SONT CRITIQUES POUR LA SÉCURITÉ DE FONCTIONNEMENT. NE REMPLACER CES COMPOSANTS QUE PAR DES PIÈCES SONY DONT LES NUMÉROS SONT DONNÉS DANS CE MANUEL OU DANS LES SUPPLÉMENTS PUBLIÉS PAR SONY.

SECTION 1 GENARL

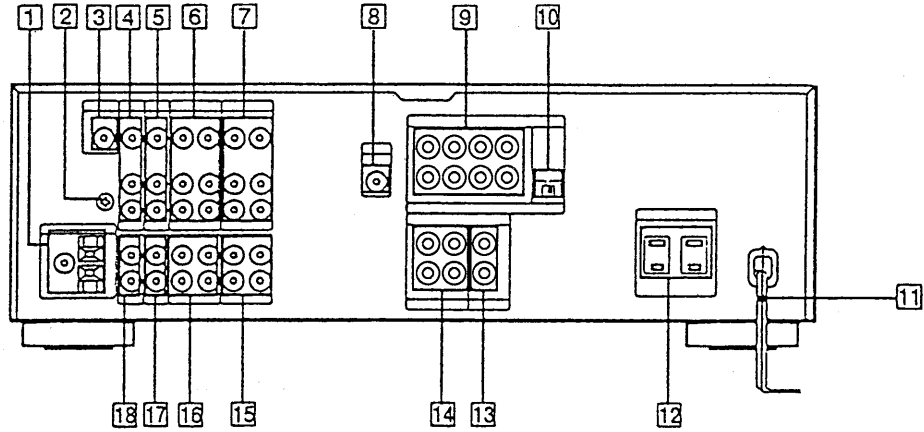
LOCATION AND FUNCTION OF CONTROLS

[Front Panel]



- | | |
|--|---|
| <p>1 POWER ON/STANDBY switch</p> <p>2 DISPLAY switch</p> <p>3 FUNCTION MODE switch</p> <p>4 FUNCTION control</p> <p>5 MASTER VOLUME control</p> <p>6 MUTING switch/indicator</p> <p>7 BASS BOOST switch/indicator</p> <p>8 BALANCE control</p> <p>9 VIDEO 3 INPUT jack</p> <p>10 TAPE switch/MONITOR indicator</p> <p>11 SOUND FIELD switch</p> <p>12 DIGITAL PROCESSING control
PARAMETER
TONE LEVEL
CHARACTER</p> <p>13 DIGITAL PROCESSING control
LEVEL
BASS/TREBLE
POSITION</p> | <p>14 SOUND FIELD MODE switch</p> <p>15 CENTER MODE switch</p> <p>16 PRESET TUNING buttons
+ button
- button</p> <p>17 INDEX SELECT/TUNING buttons
+ button
- button</p> <p>18 MODE SELECT buttons
SHIFT button
DIRECT button
FM/AM button
LEVEL button
FM MODE button
MEMORY button</p> <p>19 PHONES jack</p> <p>20 SPEAKERS selector</p> <p>21 Preset numbers buttons
0 - 9 button</p> <p>22 DPC MODE switch</p> |
|--|---|

[Rear Panel]



- | | | |
|---------------------------|--|-----------------|
| 1 ANTENNA (AM/FM) | 8 MIX OUT | 14 REAR SPEAKER |
| 2 \hbar ground terminal | 9 FRONT SPEAKERS (A/B) | 15 TAPE |
| 3 MONITOR | 10 IMPEDANCE SELECTOR (4 Ω - 8 Ω) | 16 DAT/MD |
| 4 TV | 11 AC power cord | 17 CD |
| 5 LD | 12 AC OUTLET | 18 PHONO |
| 6 VIDEO 2 | 13 CENTER SPEAKER | |
| 7 VIDEO 1 | | |

[Remote Buttons Descriptions]

Remote Button	Operates	Function
0-9	Receiver	Selects preset numbers.
	CD player/ MD recorder/ LD player	Selects track numbers. 0 selects track 10.
	TV/VCR	Selects channel numbers.
>10	CD player/ Tape deck/ LD player/ MD recorder	Selects track numbers over 10.
CH/PRESET +/-	Receiver	Scans and selects preset station
	TV/VCR	Selects preset channels
INDEX	Receiver	Selects station index names for index select tuning
D. SKIP	CD player	Skip discs (CD player with multi-disc changer only.)
⏪/⏩	CD player	Searches tracks (forward or backward).
	Tape deck/ MD recorder/ VCR/ LD player	Fastforwards or rewinds.
⏮/⏭	CD player / MD recorder/ LD player	Skips tracks.
⏸	CD player/ Tape deck/ MD recorder/ LD player/ VCR	Pauses play or record. (Also starts recording with components in record standby.)
▶	CD player/ Tape deck/ MD recorder/ LD player/ VCR	Starts play.
■	CD player/ Tape deck/ MD recorder/ LD player/ VCR	Stops play.
◀	Tape deck	Starts play on the reverse side.
●	Tape deck	Sets tape decks to the record standby mode.
● + ▶	Tape deck/ MD recorder/ VCR	Starts recording when pressed with ▶ (or ◀ on tape deck).

Remote Button	Operates	Function
RMS DIRECTION	Tape deck	Selects tape direction (for tape decks with the RMS* function.)
RMS CLEAR	Tape deck	Clears RMS* program (for tape decks with the RMS function.)
RMS/START	Tape deck	Programs tracks (tape deck with the RMS* function only.)
ENTER	TV/VCR	Changes channels when used with 0-9.
TV/VIDEO	TV/VCR	Selects input signal : TV input or video input
VISUAL POWER	TV/VCR/ LD player	Turns on or off the power
TV CONTROL ON	TV	Turns on the TV, switches the input to "TV", and sets the remote to operate the TV.
-/--	TV	Selects the channel entry mode, either one or two digit (in Europe only).
SUB CH +/-	TV	Selects preset channels for the small picture.**
POSI	TV	Changes the position of the small picture.**
SWAP	TV	Swaps the small and the large picture.**
PINP	TV	Activates the picture-in-picture function.**
JUMP	TV	Jumps back and forth between the previous and current channels.
ANT TV/ VTR	VCR	Selects output signal from the antenna terminal : TV signal or VCR program.

SECTION 2 EXPLANATION OF IC TERMINALS

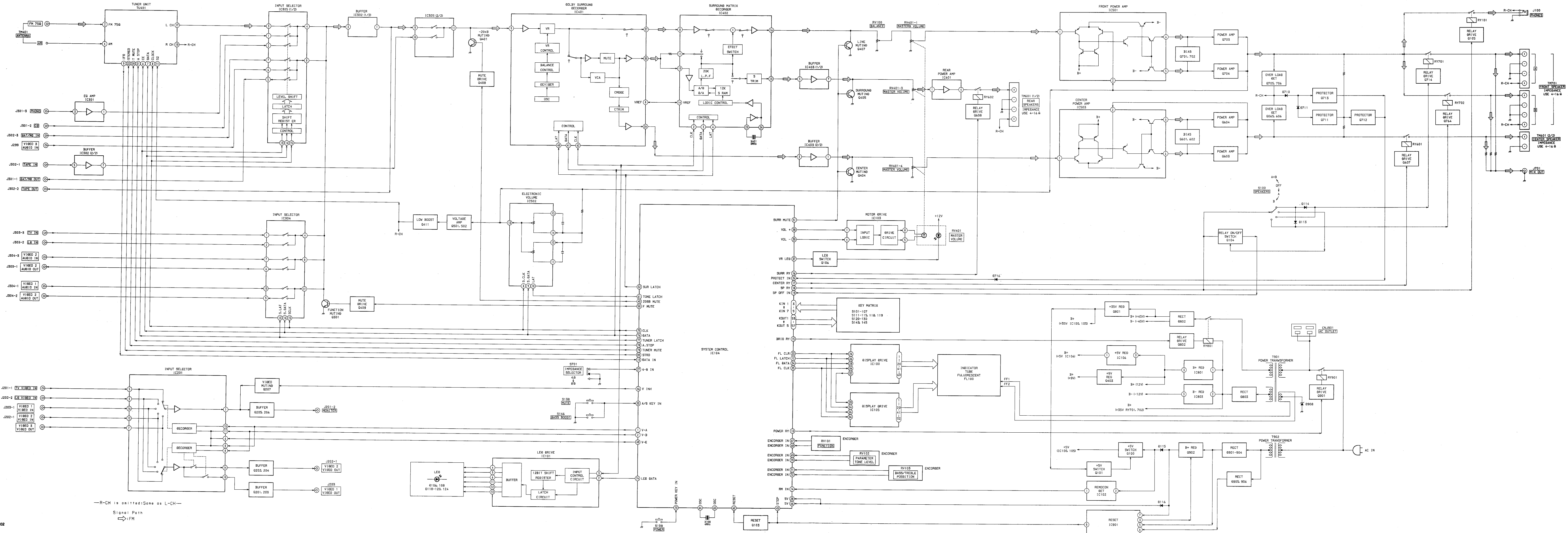
IC104 (MB90673PF-104)

Pin No.	Pin name	I/O	Description
1	V-A	O	VIDEO A control terminal.
2	V-B	O	VIDEO B control terminal.
3	KEY-IN	I	Key in 1.
4	KEY-IN	I	Key in 2.
5	KEY-IN	I	Key in 3.
6	KEY-IN	I	Key in 4.
7	KEY-IN	I	Key in 5.
8	KEY-IN	I	Key in 6.
9	KEY-IN	I	Key in 7.
10	DAT IN	I	PLL data input terminal.
11	GND	–	Power supply. (GND)
12	FL-LATCH	O	FL latch output.
13	POWER RY	O	Power relay drive.
14	RM IN	I	SIRCS signal input terminal.
15	BRID RY	O	Bridgable relay drive.
16	SURR RY	O	Surround relay drive.
17	CENTER RY	O	Center relay drive.
18	SP RY	O	Speaker relay drive.
19	SP-OFF. IN	I	Speaker OFF DET.
20	UART	–	Not used. (GND)
21	UART	–	Not used. (GND)
22	UART	–	Not used. (GND)
23	FL-CLR	O	FL clear.
24	FL-DATA	O	FL data output.
25	FL-CLK	O	FL clock output.
26	PROTECT IN	I	Protector DET input.
27	4-8-IN	I	4-8 input.
28	AV _{CC} 5V	–	Power supply. (+5V)
29	AVREF 5V	–	Reference voltage. (+5V)
30	AVREF 0V	–	Reference voltage. (GND)
31	GND	–	Power supply. (+5V)
32	AD SIGNAL-IN	I	A/D signal input.
33	NC	–	Not used. (GND)
34	V _{SS} -GND	–	Power supply. (GND)
35	A/D KEY IN	I	A/D key input.
36	NC	–	Not used. (OPEN)
37	VR LED	O	Volume LED drive.
38	VOL +	O	Volume + control.
39	VOL –	O	Volume – control.
40	20dB MUT	O	– 20dB mute.

Pin No.	Pin name	I/O	Description
41	+5V	–	+5V.
42	+5V	–	+5V.
43	GND	–	Power supply. (GND)
44	+5V	–	+5V.
45	STOP	I	Stop in.
46	V-INH	O	Video inhibit output.
47	RDS DATA IN	I	RDS data input.
48	RDS CLK IN	I	RDS clock input.
49	V-E	O	Video E control.
50	F-MUT	O	Function mute control.
51	SUR-MUT	O	Surround mute control.
52	SUR-LATCH	O	Surround latch output.
53	KEY-OUT	O	Key out 1.
54	KEY-OUT	O	Key out 2.
55	KEY-OUT	O	Key out 3.
56	KEY-OUT	O	Key out 4.
57	KEY-OUT	O	Key out 5.
58	KEY-OUT	O	Key out 6.
59	KEY-OUT	O	Key out 7.
60	KEY-OUT	O	Key out 8.
61	TONE LATCH	O	Tone latch output.
62	RESET	I	System reset terminal.
63	V _{ss} -GND	–	GND.
64	OSC	I	System clock OSC. (4.0MHz)
65	OSC	O	System clock OSC. (4.0MHz)
66	V _{cc} 5V	–	Power supply. (GND)
67	ENCODER IN	I	Function encoder input. (B : DOWN)
68	ENCODER IN	I	Function encoder input. (A : UP)
69	ENCODER IN	I	UP/DOWN encoder input. (B : DOWN)
70	ENCODER IN	I	UP/DOWN encoder input. (A : UP)
71	ENCODER IN	I	L/R encoder input. (A : UP)
72	ENCODER IN	I	L/R encoder input. (B : DOWN)
73	POWER KEY IN	I	Power key input terminal.
74	LED-DATA	O	LED data output.
75	CLK	O	Serial clock output.
76	DATA	O	Serial data output.
77	TUNER LATCH	O	Tuner, function latch output.
78	A. STOP	I	Auto stop input.
79	TUNER-MUT	O	Tuner mute control output.
80	STRO	I	Stereo input.

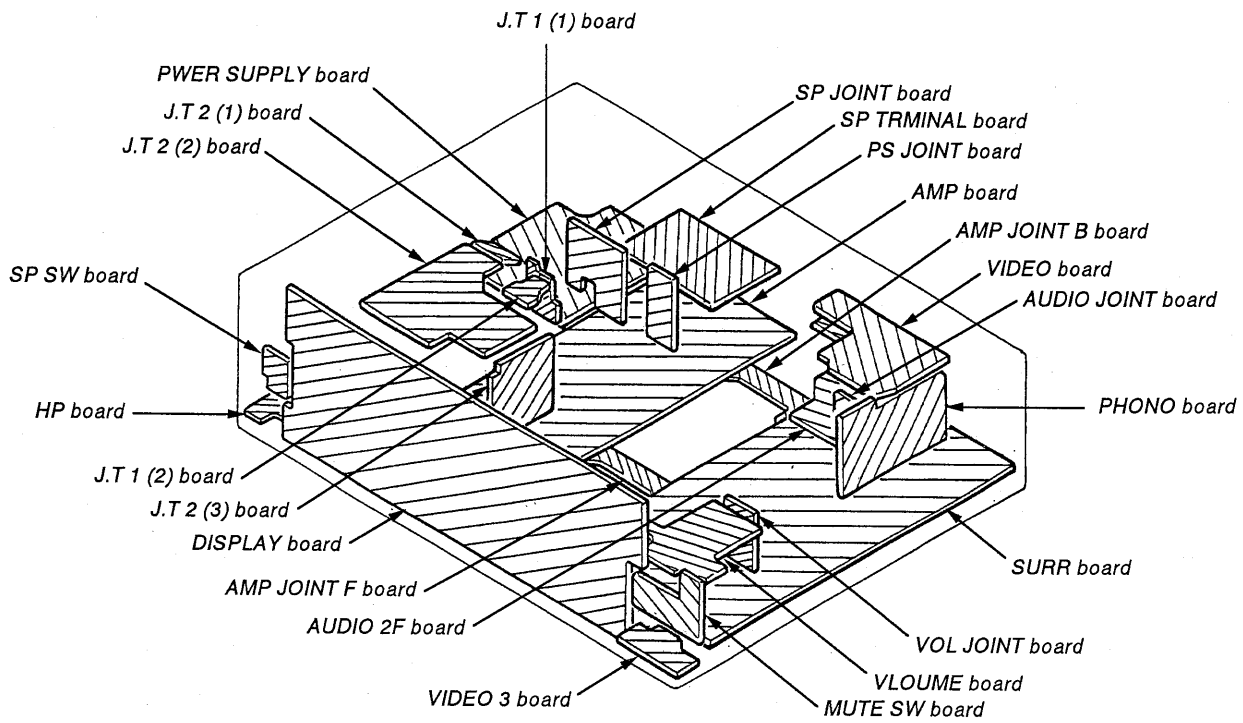
SECTION 3
DIAGRAMS

3-1. BLOCK DIAGRAM



STR-GX700ES

3-2. CIRCUIT BOARDS LOCATION



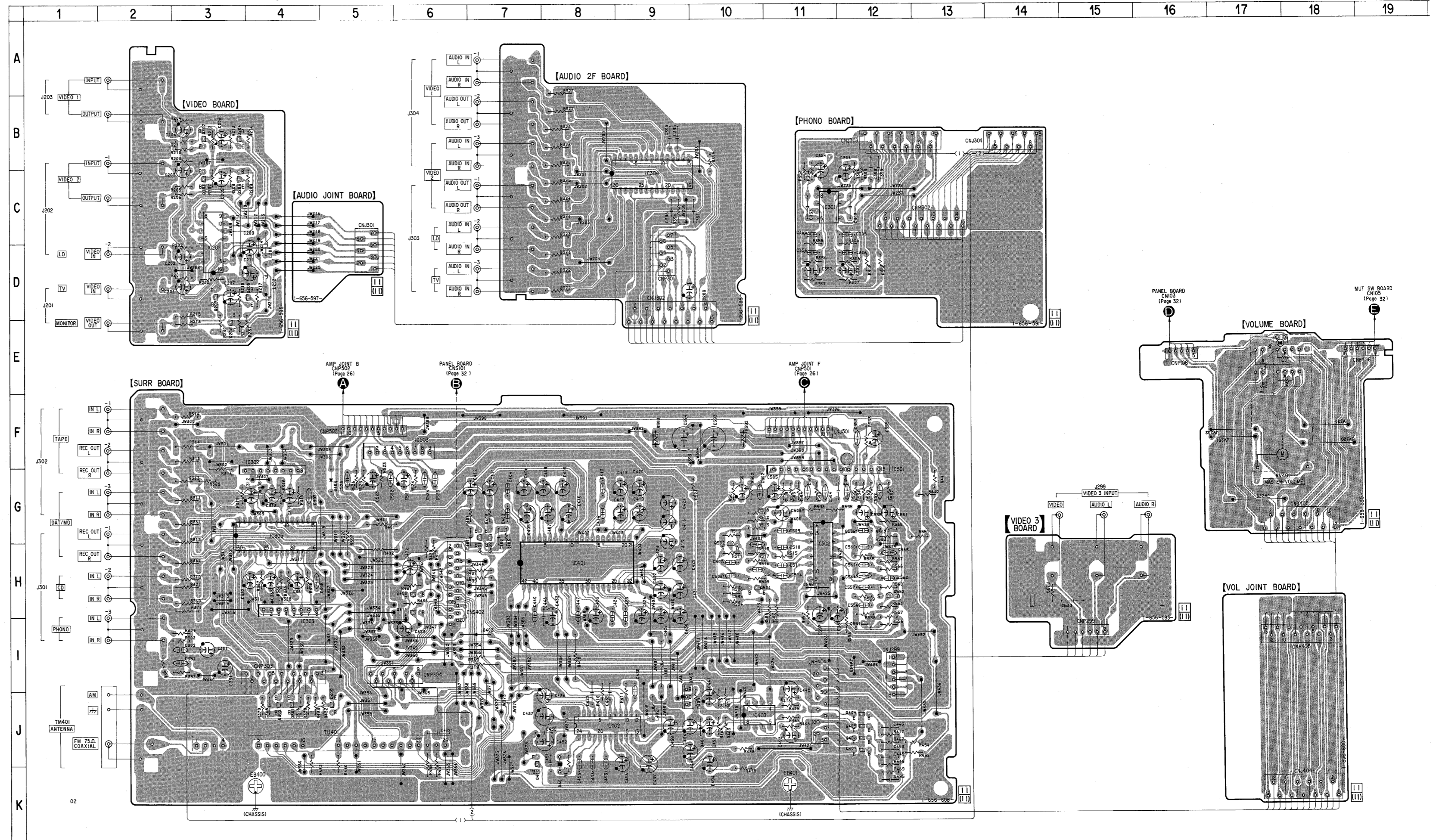
3-3. PRINTED WIRING BOARDS (SURROUND SECTION)

• SEMICONDUCTOR LOCATION

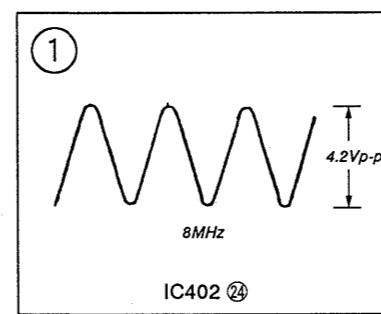
Ref. No.	Location
D401	J-10
D402	I-7
D403	G-5
IC201	D-3
IC301	C-11
IC302	G-4
IC303	H-4
IC304	C-9
IC305	G-4
IC401	H-8
IC402	J-8
IC403	J-10
IC501	G-12
IC502	H-11
IC503	F-6
Q201	C-3
Q202	B-3
Q203	C-3
Q204	B-3
Q205	D-4
Q206	E-3
Q207	D-3
Q301	J-4
Q302	J-4
Q401	G-7
Q402	G-7
Q403	J-9
Q404	J-12
Q405	J-12
Q406	J-12
Q407	J-12
Q408	H-6
Q409	J-5
Q410	J-7
Q411	H-6
Q501	H-10
Q502	H-10
Q551	I-12
Q552	H-12

Note:

- — : parts extracted from the component side.
- ⊙ : Pattern on the side which is seen.



WAVEFORM



Note :

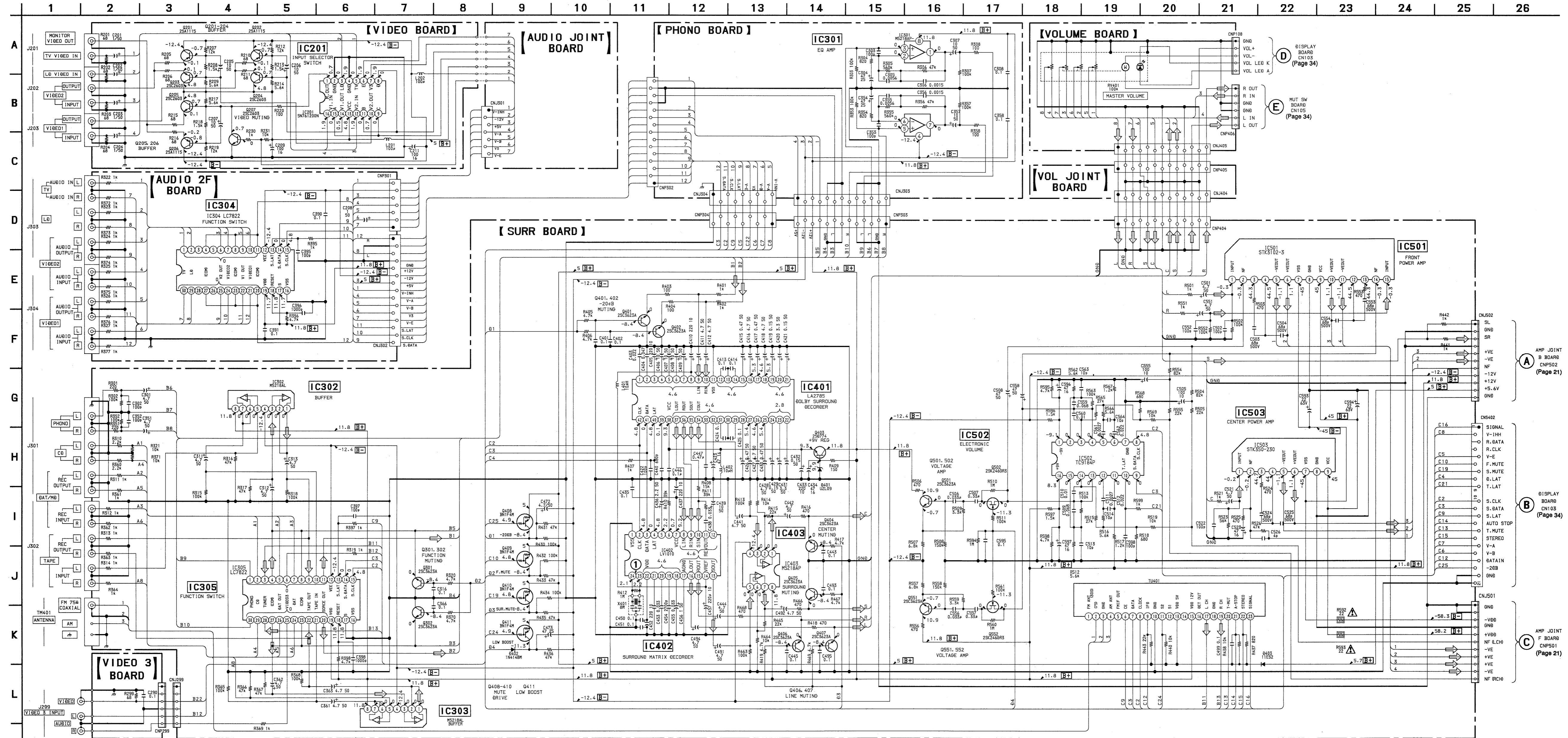
- All capacitors are in μF unless otherwise noted. pF : μF F 50WV or less are not indicated except for electrolytics and tantalums.
- All resistors are in Ω and $\frac{1}{4}W$ or less unless otherwise specified.
- Ⓜ : nonflammable resistor.

Note :
The components identified by mark Δ or ∇ are critical for safety. Replace only with part number specified.

Note :
Les composants identifiés par une marque Δ sont critiques pour la sécurité. Ne les remplacer que par une pièce portant le numéro spécifié.

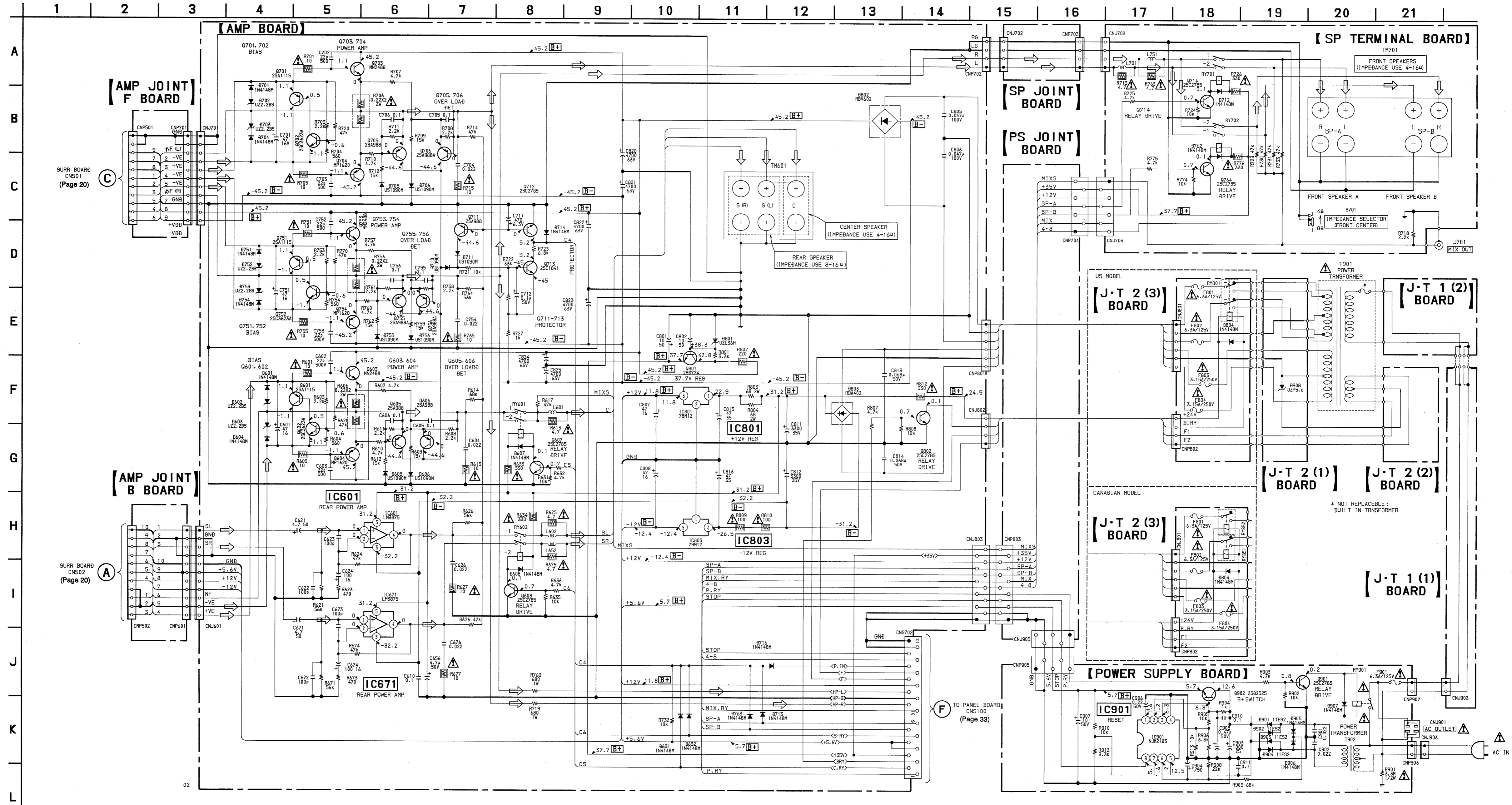
- $B+$: B+ Line
- $B-$: B- Line
- \square : adjustment for repair.
- Waveforms are taken with respect to ground under no-signal (detuned) conditions.
- Volts are taken with a VOM (Input impedance 10M Ω). Voltage variations may be noted due to normal production tolerances.
- Waveforms are taken with an oscilloscope. Voltage variations may be noted due to normal production tolerances.
- Circled numbers refer to waveforms.
- Signal path: \Rightarrow : FM

3-4. SCHEMATIC DIAGRAM (SURROUND SECTION) Refer to page 36 for IC Block Diagrams.



3-5. SCHEMATIC DIAGRAM (AMP SECTION)

Refer to page 37 for IC Block Diagram.



Note:

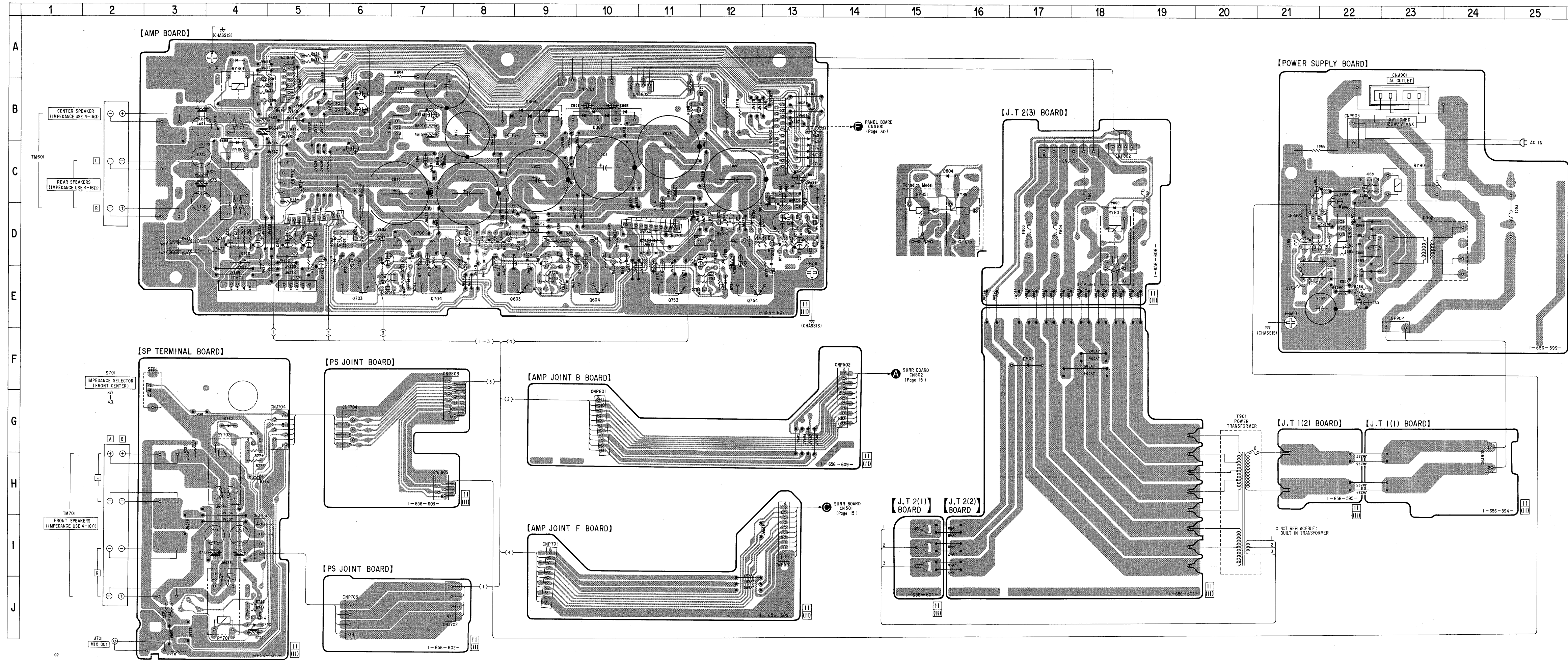
- All capacitors are in μ F unless otherwise noted, pF: μ μ F 50V or less are not indicated except for electrolytics and tantalums.
- All resistors are in Ω and $\frac{1}{4}$ W or less unless otherwise specified.
- : nonflammable resistor.

Note:

- The components identified by mark Δ or dotted line with mark Δ are critical for safety. Replace only with part number specified.
- Les composants identifiés par une marque Δ sont critiques pour la sécurité. Ne les remplacez que par une pièce portant le numéro spécifié.

Legend:

- B+**: B+ Line
- B-**: B- Line
- : adjustment for repair.
- Voltage and waveforms are dc with respect to ground under no-signal (detuned) conditions.
- Volts are taken with a VOM (Input Impedance 10M Ω). Voltage variations may be noted due to normal production tolerances.
- Waveforms are taken with an oscilloscope. Voltage variations may be noted due to normal production tolerances.
- Circled numbers refer to waveforms.
- Signal path.
- : FM

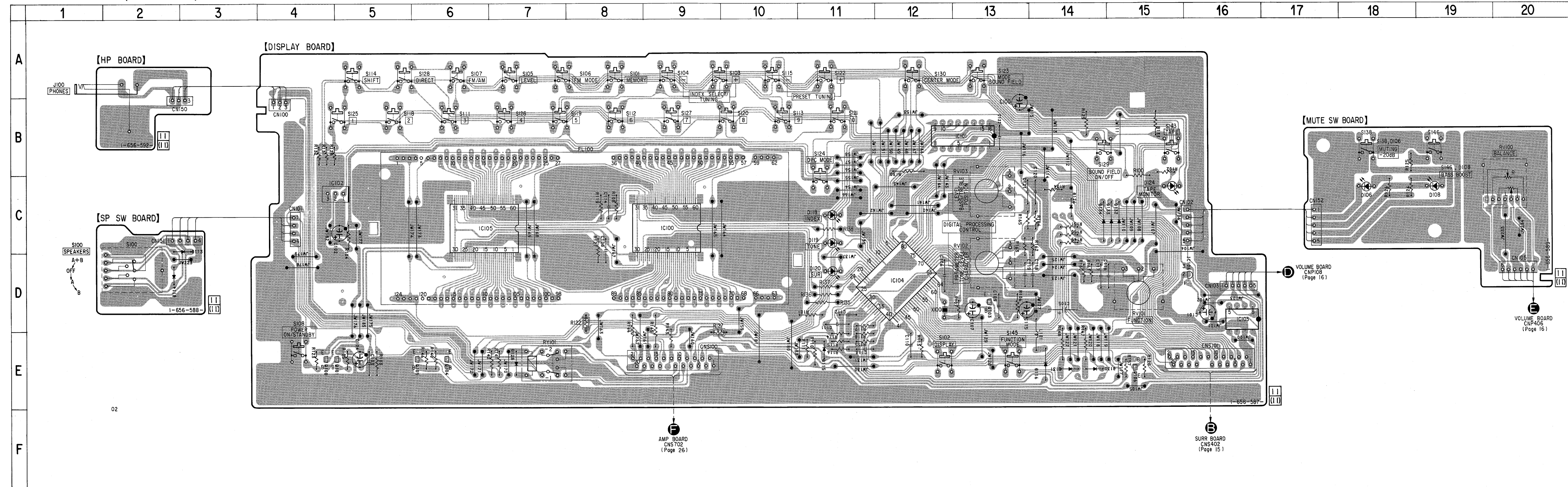


• SEMICONDUCTOR LOCATION

Ref. No.	Location	Ref. No.	Location
D801	D-8	IC601	E-4
D802	D-8	IC671	E-5
D803	D-9	IC801	B-6
D804	E-9	IC803	B-7
D805	D-10	IC901	E-21
D806	D-8	Q601	D-9
D807	A-4	Q602	E-9
D808	C-4	Q603	E-9
D831	B-13	Q604	E-10
D832	C-13	Q605	D-10
D701	D-6	Q606	D-8
D702	D-6	Q607	B-4
D703	D-7	Q608	B-4
D704	E-7	Q701	D-7
D705	D-8	Q702	E-6
D706	C-6	Q703	E-6
D710	D-13	Q704	E-7
D711	D-13	Q705	D-8
D712	J-4	Q706	D-6
D713	C-13	Q711	D-13
D714	C-13	Q712	D-13
D716	C-13	Q713	D-13
D751	D-11	Q714	J-4
D752	D-11	Q751	D-12
D753	E-12	Q752	E-12
D754	E-12	Q753	E-11
D755	D-12	Q754	E-12
D756	D-12	Q755	D-13
D762	G-4	Q756	D-12
D763	C-13	Q764	G-4
D801	C-13	Q801	C-13
D802	B-10	Q802	B-11
D803	B-9	Q801	C-22
D804	C-15	Q902	D-22
D901	D-22		
D902	D-22		
D903	D-22		
D904	D-22		
D905	D-22		
D906	D-22		
D907	C-22		
D908	F-17		

Note:
 • ○ — : parts extracted from the component side.
 • ▨ : Pattern on the side which is seen.

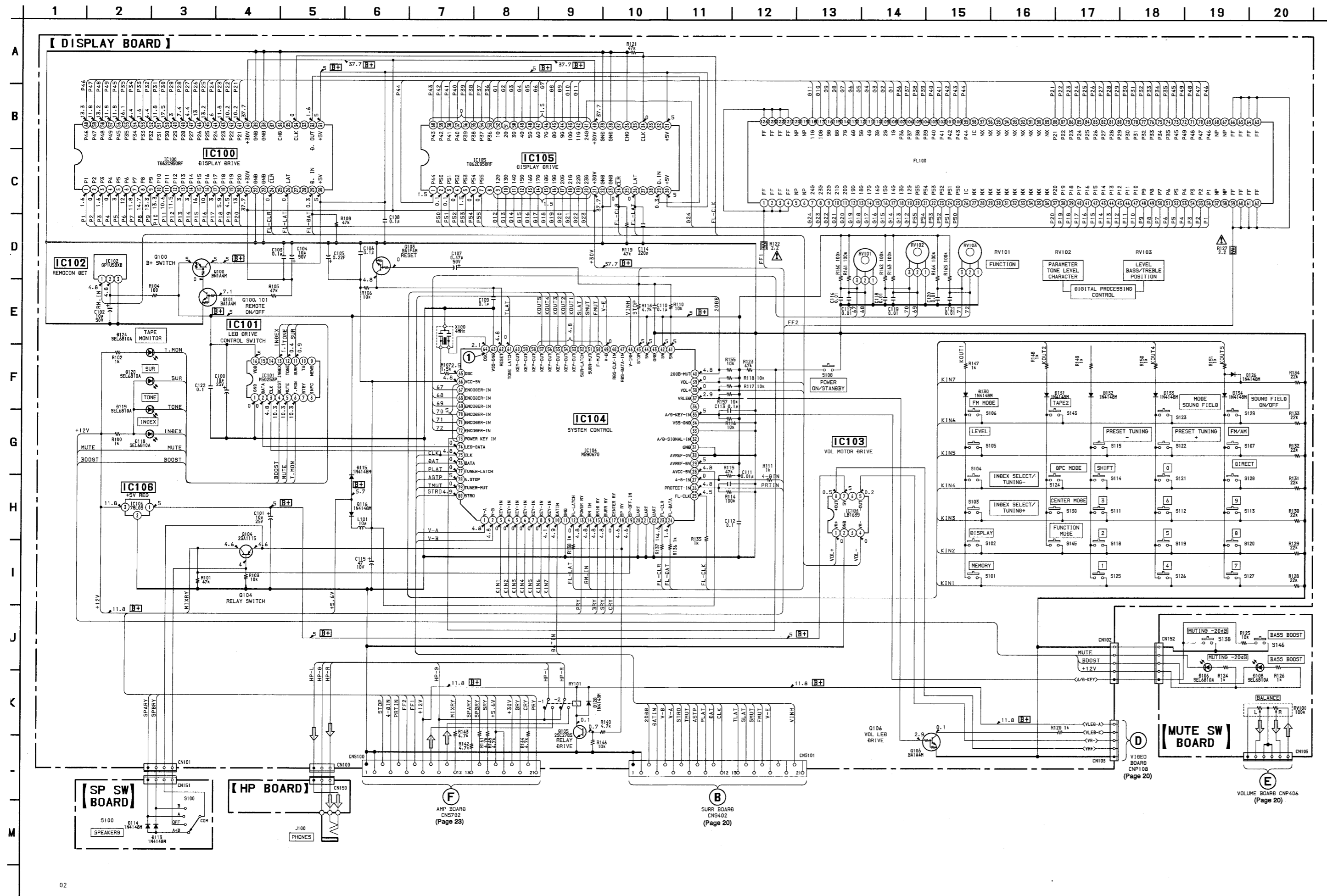
3-7. PRINTED WIRING BOARDS (DISPLAY SECTION)



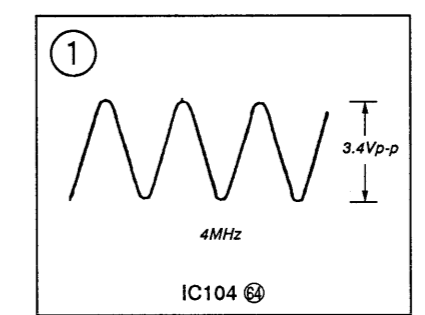
● SEMICONDUCTOR LOCATION

Ref. No.	Location	Ref. No.	Location
D106	C-18	IC100	C-9
D108	C-19	IC101	B-13
D109	E-14	IC102	C-4
D112	C-14	IC103	D-16
D113	C-3	IC104	D-12
D114	D-2	IC105	C-6
D115	E-11	IC106	D-16
D116	E-14		
D118	C-11	Q100	E-4
D119	C-11	Q101	E-4
		Q103	D-13
D120	D-11	Q104	E-6
D124	C-15	Q105	E-6
D126	C-14		
D128	E-7	Q106	E-15
D130	E-14		
D131	E-14		
D132	C-15		
D133	C-15		
D134	C-14		

Note:
 ○ : parts extracted from the component side.
 ● : Pattern on the side which is seen.



WAVEFORM



Note:

- All capacitors are in μF unless otherwise noted. pF: μF 50WV or less are not indicated except for electrolytics and tantalums.
- All resistors are in Ω and $\frac{1}{4}W$ or less unless otherwise specified.
- \square : nonflammable resistor.

Note: The components identified by mark Δ or dotted line with mark Δ are critical for safety. Replace only with part number specified.

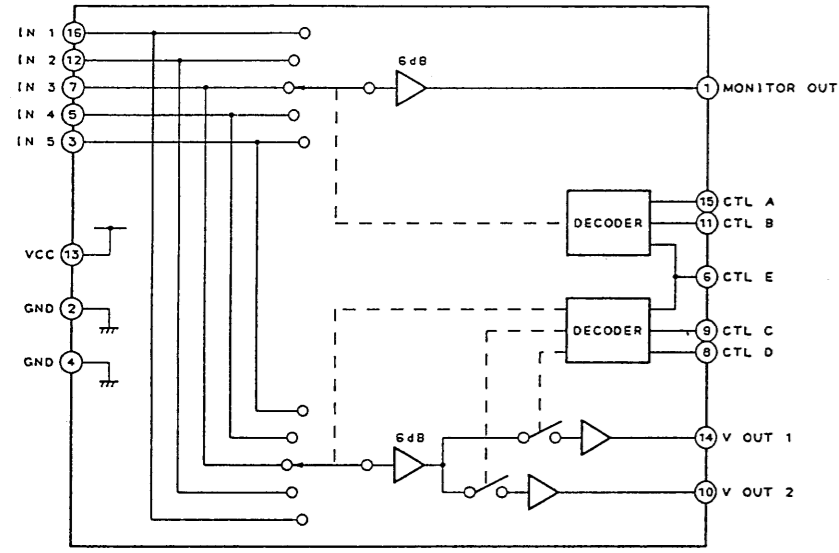
Note: Les composants identifiés par une marque Δ sont critiques pour la sécurité. Ne les remplacer que par une pièce portant le numéro spécifié.

- B+**: B+ Line
- B-**: B- Line
- \square : adjustment for repair.
- Voltage and waveforms are dc with respect to ground under no-signal (detuned) conditions.
- Voltagés are taken with a VOM (Input impedance 10M Ω). Voltage variations may be noted due to normal production tolerances.
- Waveforms are taken with an oscilloscope. Voltage variations may be noted due to normal production tolerances.
- Circled numbers refer to waveforms.
- Signal path.
- \Rightarrow : FM

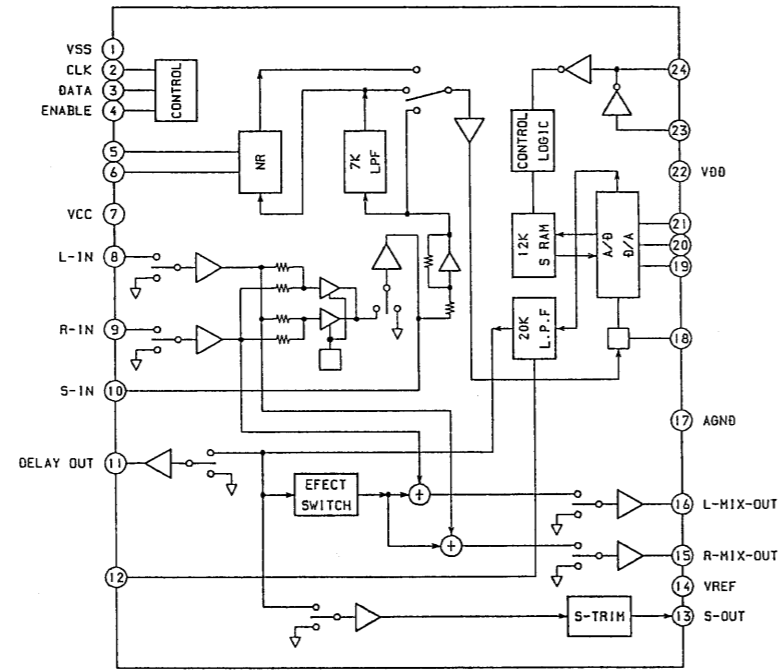
• IC BLOCK DIAGRAMS

— SURROUND SECTION —

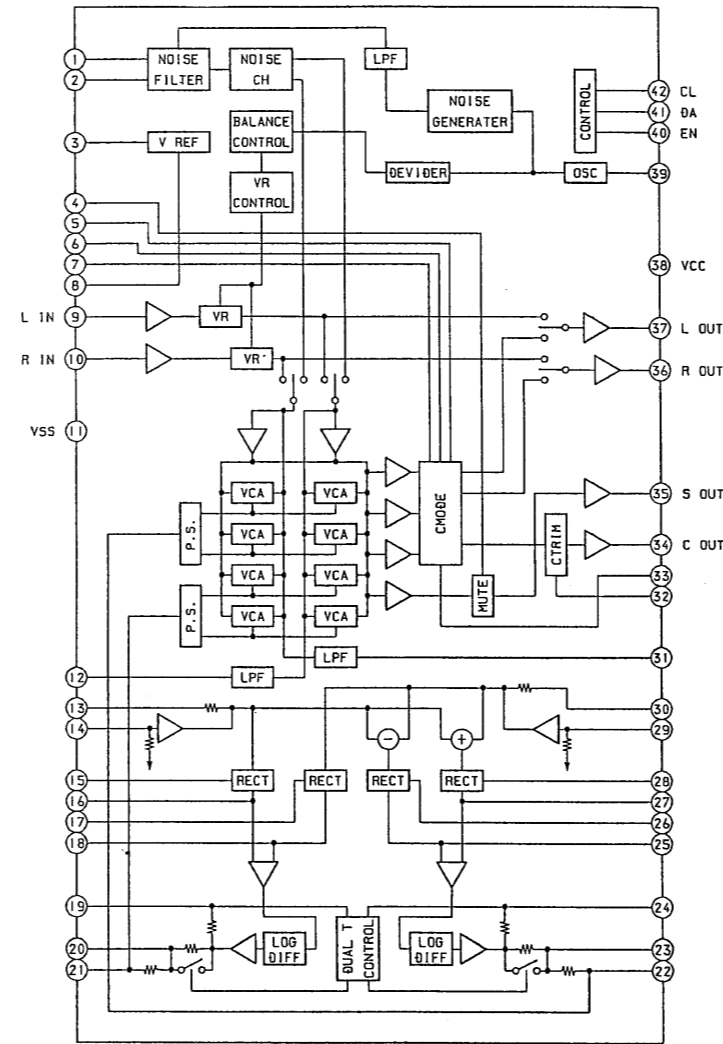
IC201 SN761200N



IC402 LV1011

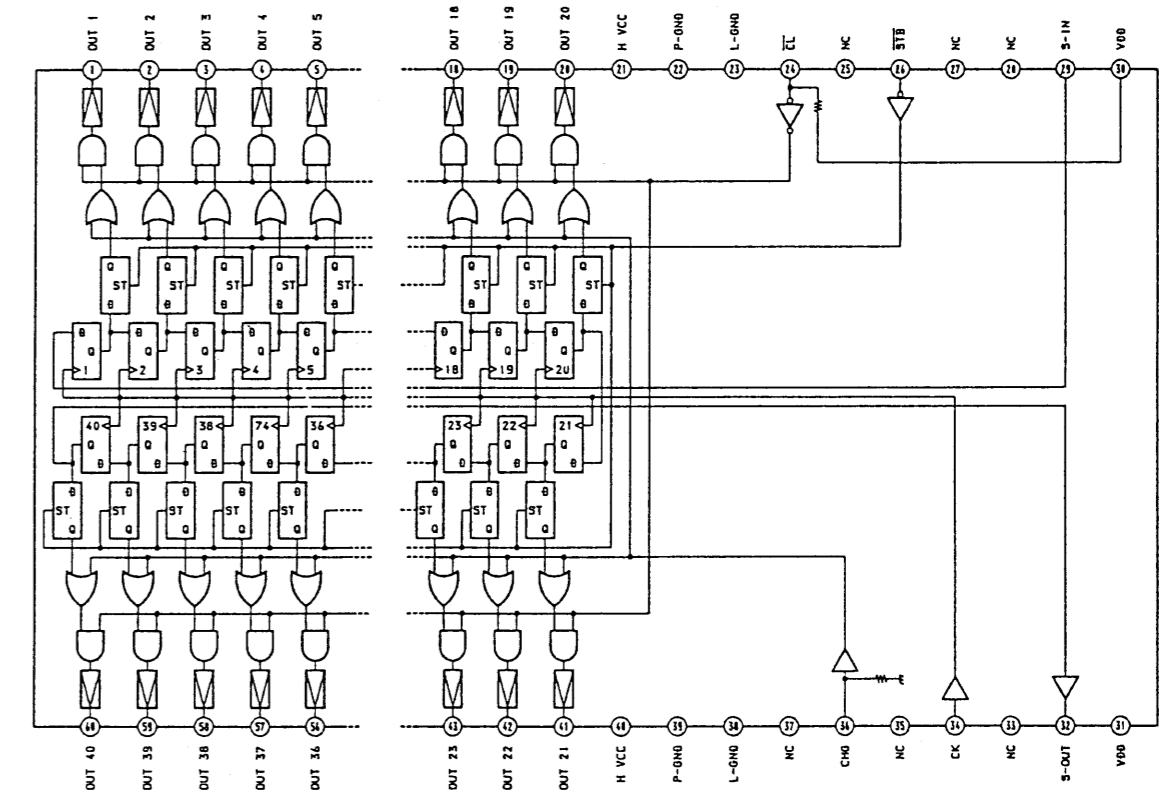


IC401 LA2785

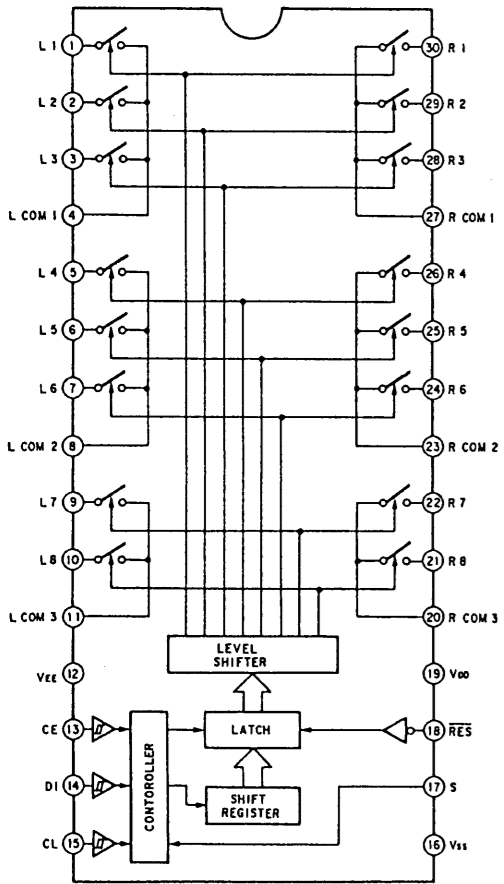


— DISPLAY SECTION —

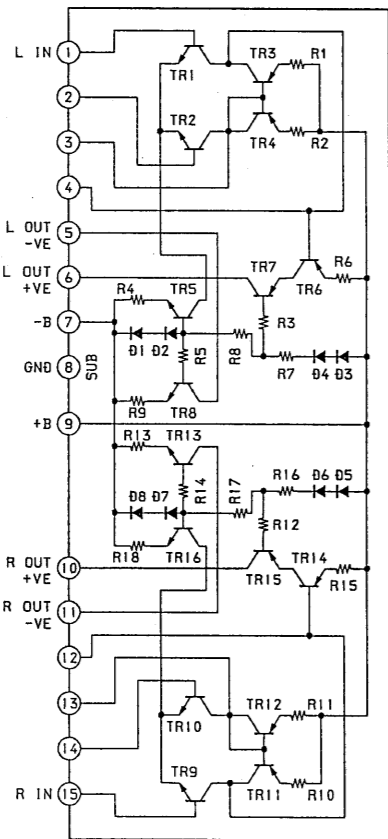
IC100, 105 TD62C950RF



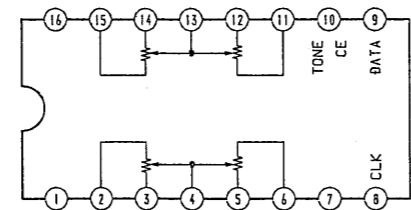
IC304, 305 LC7822



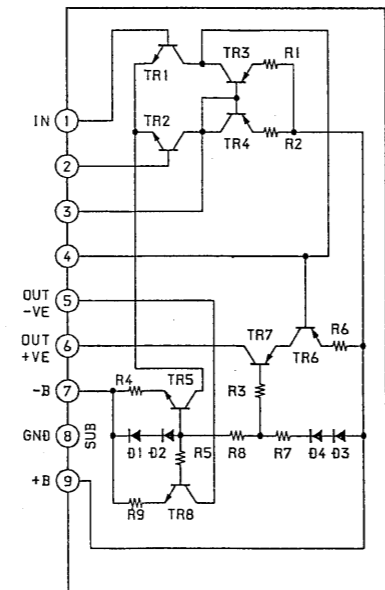
IC501 STK3102MK3



IC502 TC9184P

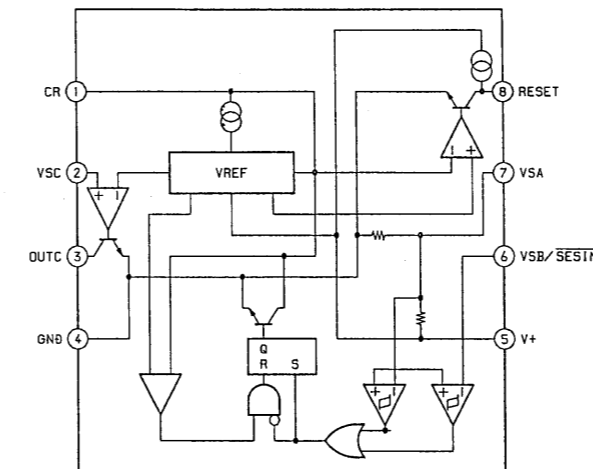


IC503 STK350-230

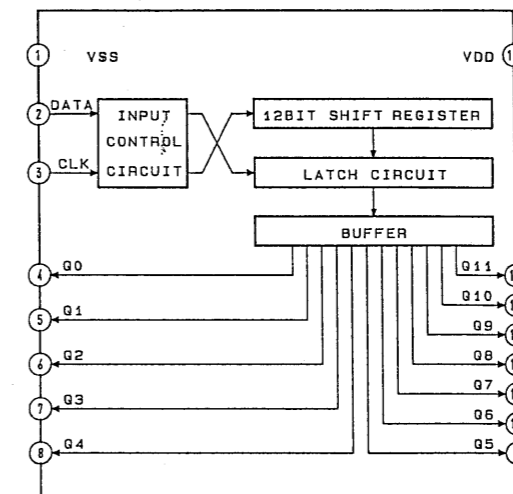


— AMP SECTION —

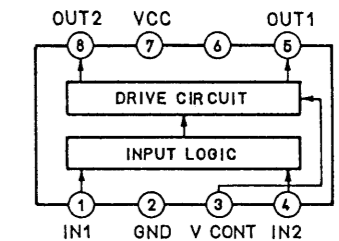
IC901 NJM2103D



IC101 M50253P



IC103 LB1639



SECTION 4 EXPLODED VIEWS

NOTE:

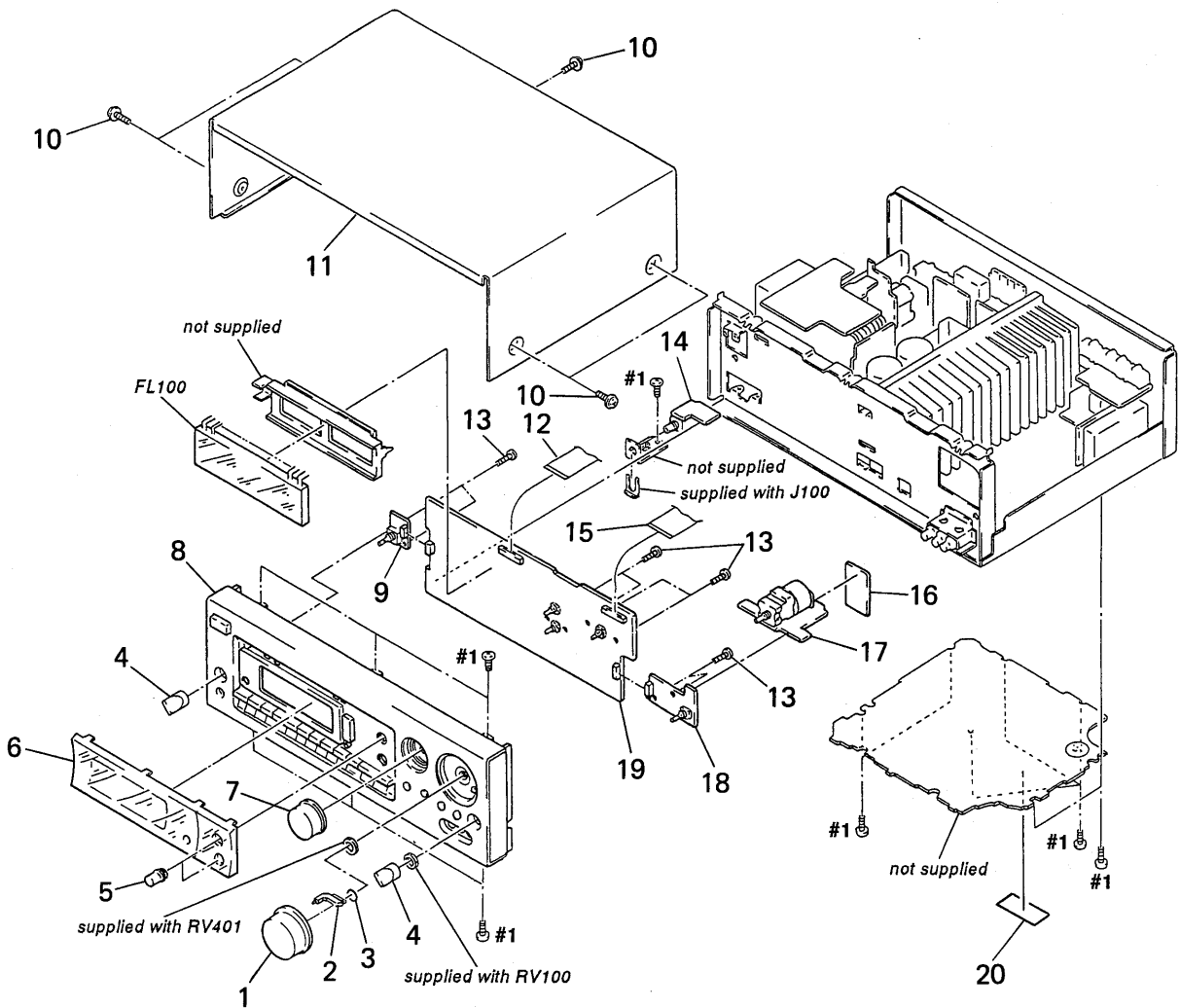
- -XX, -X mean standardized parts, so they may have some difference from the original one.
- The construction parts of an assembled part are indicated with a collation number in the remark column.

- Items marked “ * ” are not stocked since they are seldom required for routine service. Some delay should be anticipated when ordering these items.
- The mechanical parts with no reference number in the exploded views are not supplied.
- Hardware (# mark) list and accessories and packing materials are given in the last of this parts list.

The components identified by mark Δ or dotted line with mark Δ are critical for safety. Replace only with part number specified.

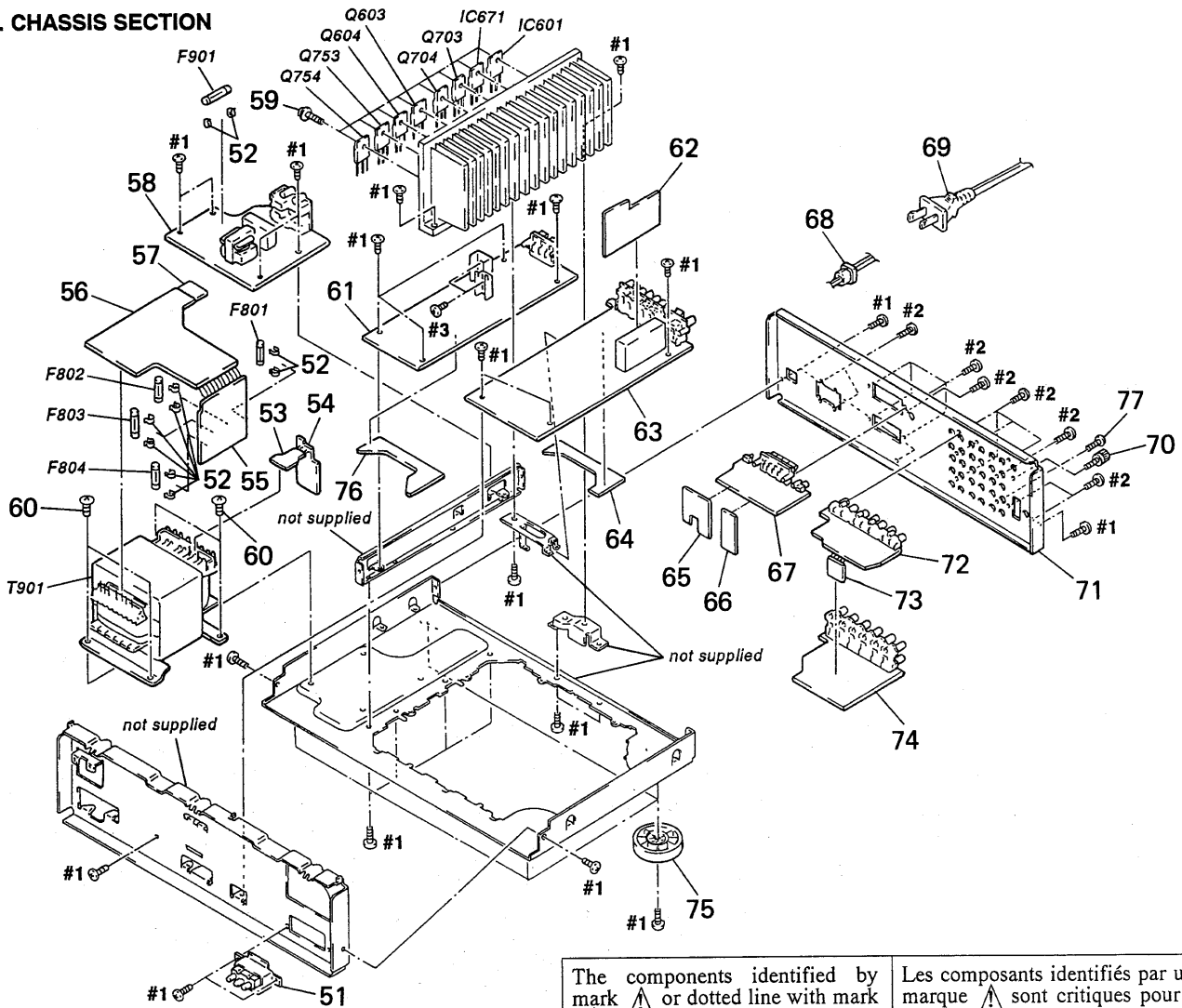
Les composants identifiés par une marque Δ sont critiques pour la sécurité. Ne les remplacer que par une pièce portant le numéro spécifié.

4-1. FRONT PANEL SECTION



Ref. No.	Part No.	Description	Remark	Ref. No.	Part No.	Description	Remark
1	4-949-659-01	KNOB (VOL-NEW)		12	1-773-718-11	WIRE (FLAT TYPE) (21 CORE)	
2	4-958-991-01	PLATE (VOL), LIGHT GUIDE		13	4-951-620-01	SCREW (2.6×8), +BVTP	
3	3-350-426-01	SPRING, RING		* 14	1-656-592-11	HP BOARD	
4	4-957-383-01	KNOB (F14)		15	1-773-709-11	WIRE (FLAT TYPE) (21 CORE)	
5	4-966-924-01	KNOB (R12)		* 16	1-656-600-11	VOL JOINT BOARD	
6	4-966-932-61	PLATE (B1), INDICATION		* 17	1-656-590-11	VOLUME BOARD	
7	4-974-140-01	KNOB (R41)		* 18	1-656-589-11	MUTE SW BOARD	
8	X-4946-041-1	PANEL ASSY, FRONT		* 19	A-4377-872-A	DISPLAY BOARD, COMPLETE	
* 9	1-656-588-11	SP SW BOARD		20	3-703-044-26	LABEL, CAUTION	
10	3-704-366-01	SCREW (CASE) (M3×8)		FL100	1-517-304-11	INDICATOR TUBE, FLUORESCENT	
11	4-931-031-11	CASE					

4-2. CHASSIS SECTION



The components identified by mark \triangle or dotted line with mark \triangle are critical for safety. Replace only with part number specified.

Les composants identifiés par une marque \triangle sont critiques pour la sécurité. Ne les remplacer que par une pièce portant le numéro spécifié.

Ref. No.	Part No.	Description	Remark	Ref. No.	Part No.	Description	Remark
* 51	1-656-593-11	VIDEO 3 BOARD		* 72	1-656-598-11	VIDEO BOARD	
52	1-533-293-11	FUSE HOLDER		* 73	1-656-597-11	AUDIO JOINT BOARD	
* 53	1-656-595-11	J. T 1 (2) BOARD		* 74	1-656-596-11	AUDIO 2F BOARD	
* 54	1-656-594-11	J. T 1 (1) BOARD		75	X-4941-617-1	FOOT (58175) ASSY	
* 55	1-656-606-11	J. T 2 (3) BOARD		* 76	1-656-609-11	AMP JOINT F BOARD	
* 56	1-656-605-11	J. T 2 (2) BOARD		77	3-704-515-01	SCREW (BV/RING)	
* 57	1-656-604-11	J. T 2 (1) BOARD		\triangle F801	1-532-748-11	FUSE, GLASS TUBE 6.3A 125V	
* 58	1-656-599-11	POWER SUPPLY BOARD		\triangle F802	1-532-748-11	FUSE, GLASS TUBE 6.3A 125V	
59	3-905-609-01	SCREW (TRANSISTOR)		\triangle F803	1-576-107-11	FUSE (3.15A/125V)	
60	4-381-962-11	SCREW +BVTT 4x8 (S)		\triangle F804	1-576-107-11	FUSE (3.15A/125V)	
* 61	A-4377-882-A	AMP BOARD, COMPLETE		\triangle F901	1-532-748-11	FUSE, GLASS TUBE 6.3A 125V	
* 62	1-656-591-11	PHONO BOARD		IC601	8-759-069-56	IC LM3875	
* 63	A-4377-883-A	SURR BOARD, COMPLETE		IC671	8-759-069-56	IC LM3875	
* 64	1-656-610-11	AMP JOINT B BOARD		Q603	8-749-010-25	TRANSISTOR MN2488-OPY-M	
* 65	1-656-602-11	SP JOINT BOARD		Q604	8-749-010-26	TRANSISTOR MP1620-OPY-M	
* 66	1-656-603-11	PS JOINT BOARD		Q703	8-749-010-25	TRANSISTOR MN2488-OPY-M	
* 67	1-656-601-11	SP TERMINAL BOARD		Q704	8-749-010-26	TRANSISTOR MP1620-OPY-M	
* 68	3-703-244-00	BUSHING (2104), CORD		Q753	8-749-010-25	TRANSISTOR MN2488-OPY-M	
\triangle 69	1-769-743-11	CORD, POWER		Q754	8-749-010-26	TRANSISTOR MP1620-OPY-M	
70	4-947-010-01	SCREW, FEEDER FIXED		\triangle T901	1-427-922-12	TRANSFORMER, POWER (US)	
* 71	4-974-143-01	PANEL, BACK (US)		\triangle T901	1-427-945-11	TRANSFORMER, POWER (Canadian)	
* 71	4-974-143-11	PANEL, BACK (Canadian)					

SECTION 5 ELECTRICAL PARTS LIST

AMP

NOTE :

- Due to standardization, replacements in the parts list may be different from the parts specified in the diagrams or the components used on the set.
- -XX, -X mean standardized parts, so they may have some difference from the original one.
- RESISTORS
All resistors are in ohms
METAL : Metal-film resistor
METAL OXIDE : Metal oxide-film resistor
F : nonflammable

- Items marked " * " are not stocked since they are seldom required for routine service. Some delay should be anticipated when ordering these items.
- SEMICONDUCTORS
In each case, u : μ , for example :
uA.... : μ A.... , uPA.... : μ PA....
uPB.... : μ PB.... , uPC.... : μ PC....
uPD.... : μ PD....
- CAPACITORS
uF : μ F
- COILS
uH : μ H

The components identified by mark Δ or dotted line with mark Δ are critical for safety. Replace only with part number specified.

Les composants identifiés par une marque Δ sont critiques pour la sécurité. Ne les remplacer que par une pièce portant le numéro spécifié.

When indicating parts by reference number, please include the board.

Ref. No.	Part No.	Description	Remark	Ref. No.	Part No.	Description	Remark
*	A-4377-882-A	AMP BOARD, COMPLETE *****					
		< CAPACITOR >					
C601	1-104-664-11	ELECT	47uF	20%	16V		
C602	1-107-597-11	CERAMIC	22PF	10%	500V		
C603	1-107-597-11	CERAMIC	22PF	10%	500V		
C604	1-136-157-00	FILM	0.022uF	5%	50V		
C605	1-164-159-11	CERAMIC	0.1uF		50V		
C606	1-164-159-11	CERAMIC	0.1uF		50V		
C610	1-164-159-11	CERAMIC	0.1uF		50V		
C621	1-126-963-11	ELECT	4.7uF	20%	50V		
C622	1-162-282-31	CERAMIC	100PF	10%	50V		
C623	1-162-282-31	CERAMIC	100PF	10%	50V		
C624	1-104-665-11	ELECT	100uF	20%	16V		
C626	1-136-157-00	FILM	0.022uF	5%	50V		
C656	1-126-963-11	ELECT	4.7uF	20%	50V		
C671	1-126-963-11	ELECT	4.7uF	20%	50V		
C672	1-162-282-31	CERAMIC	100PF	10%	50V		
C673	1-162-282-31	CERAMIC	100PF	10%	50V		
C674	1-104-665-11	ELECT	100uF	20%	16V		
C676	1-136-157-00	FILM	0.022uF	5%	50V		
C701	1-104-664-11	ELECT	47uF	20%	16V		
C702	1-107-597-11	CERAMIC	22PF	10%	500V		
C703	1-107-597-11	CERAMIC	22PF	10%	500V		
C704	1-136-157-00	FILM	0.022uF	5%	50V		
C705	1-164-159-11	CERAMIC	0.1uF		50V		
C706	1-164-159-11	CERAMIC	0.1uF		50V		
C711	1-126-941-11	ELECT	470uF	20%	6.3V		
C712	1-124-463-00	ELECT	0.1uF	20%	50V		
C751	1-104-664-11	ELECT	47uF	20%	16V		
C752	1-107-597-11	CERAMIC	22PF	10%	500V		
C753	1-107-597-11	CERAMIC	22PF	10%	500V		
C754	1-136-157-00	FILM	0.022uF	5%	50V		
C755	1-164-159-11	CERAMIC	0.1uF		50V		
C756	1-164-159-11	CERAMIC	0.1uF		50V		
C801	1-124-907-11	ELECT	10uF	20%	50V		
C802	1-124-907-11	ELECT	10uF	20%	50V		
C805	1-137-420-11	FILM	0.047uF	10%	100V		
C806	1-137-420-11	FILM	0.047uF	10%	100V		
C807	1-104-664-11	ELECT	47uF	20%	16V		
C808	1-104-664-11	ELECT	47uF	20%	16V		
C811	1-126-413-11	ELECT	3300uF	20%	35V		
C812	1-126-413-11	ELECT	3300uF	20%	35V		
C813	1-136-495-11	FILM	0.068uF	5%	50V		
C814	1-136-495-11	FILM	0.068uF	5%	50V		
C815	1-126-967-11	ELECT	47uF	20%	35V		
C816	1-126-967-11	ELECT	47uF	20%	35V		
C820-825	1-128-493-11	ELECT	4700uF	20%	63V		
		< CONNECTOR >					
	CNJ601	1-770-404-11	HOUSING, CONNECTOR (PC BOARD)	11P			
	CNJ701	1-770-404-11	HOUSING, CONNECTOR (PC BOARD)	11P			
*	CNJ802	1-565-495-11	CONNECTOR, BOARD TO BOARD	4P			
	CNJ803	1-770-382-11	CONNECTOR, BOARD TO BOARD	12P			
	CNP702	1-770-481-11	PIN, CONNECTOR	4P			
*	CNP801	1-560-259-00	CONNECTOR PIN, WITH LOCK	6P			
	CNS702	1-764-926-11	CONNECTOR, FFC (LIF(NON-ZIF))	21P			
		< DIODE >					
D601	8-719-987-63	DIODE	IN4148M				
D602	8-719-010-06	DIODE	UZ-2.2BS-TP				
D603	8-719-010-06	DIODE	UZ-2.2BS-TP				
D604	8-719-987-63	DIODE	IN4148M				
D605	8-719-815-85	DIODE	1S1585				
D606	8-719-815-85	DIODE	1S1585				
D607	8-719-987-63	DIODE	IN4148M				

AMP

Ref. No.	Part No.	Description	Remark
D608	8-719-987-63	DIODE 1N4148M	
D631	8-719-987-63	DIODE 1N4148M	
D632	8-719-987-63	DIODE 1N4148M	
D701	8-719-987-63	DIODE 1N4148M	
D702	8-719-010-06	DIODE UZ-2. 2BS-TP	
D703	8-719-010-06	DIODE UZ-2. 2BS-TP	
D704	8-719-987-63	DIODE 1N4148M	
D705	8-719-815-85	DIODE 1S1585	
D706	8-719-815-85	DIODE 1S1585	
D710	8-719-815-85	DIODE 1S1585	
D711	8-719-815-85	DIODE 1S1585	
D713	8-719-987-63	DIODE 1N4148M	
D714	8-719-987-63	DIODE 1N4148M	
D716	8-719-987-63	DIODE 1N4148M	
D751	8-719-987-63	DIODE 1N4148M	
D752	8-719-010-06	DIODE UZ-2. 2BS-TP	
D753	8-719-010-06	DIODE UZ-2. 2BS-TP	
D754	8-719-987-63	DIODE 1N4148M	
D755	8-719-815-85	DIODE 1S1585	
D756	8-719-815-85	DIODE 1S1585	
D763	8-719-987-63	DIODE 1N4148M	
D801	8-719-002-76	DIODE UZL-36H	
D802	8-719-302-38	DIODE RBV-602-01	
D803	8-719-025-03	DIODE RBA-402-SL	
< TERMINAL BOARD >			
EB700	1-537-770-21	TERMINAL BOARD, GROUND	
EB701	1-537-770-21	TERMINAL BOARD, GROUND	
< IC >			
IC601	8-759-069-56	IC LM3875	
IC671	8-759-069-56	IC LM3875	
IC801	8-759-263-43	IC TA78M12S	
IC803	8-759-604-45	IC M5F79M12L	
< COIL >			
L601	1-420-872-00	COIL, AIR-CORE	
L602	1-420-872-00	COIL, AIR-CORE	
L652	1-420-872-00	COIL, AIR-CORE	
< TRANSISTOR >			
Q601	8-729-119-76	TRANSISTOR 2SA1175-HFE	
Q602	8-729-141-30	TRANSISTOR 2SC3623A-LK	
Q603	8-749-010-25	TRANSISTOR MN2488-OPY-M	
Q604	8-749-010-26	TRANSISTOR MP1620-OPY-M	
Q605	8-729-140-82	TRANSISTOR 2SA988-PAFAEA	
Q606	8-729-140-82	TRANSISTOR 2SA988-PAFAEA	
Q607	8-729-119-79	TRANSISTOR 2SC2785-FEK	
Q608	8-729-119-79	TRANSISTOR 2SC2785-FEK	

Ref. No.	Part No.	Description	Remark
Q701	8-729-119-76	TRANSISTOR 2SA1175-HFE	
Q702	8-729-141-30	TRANSISTOR 2SC3623A-LK	
Q703	8-749-010-25	TRANSISTOR MN2488-OPY-M	
Q704	8-749-010-26	TRANSISTOR MP1620-OPY-M	
Q705	8-729-140-82	TRANSISTOR 2SA988-PAFAEA	
Q706	8-729-140-82	TRANSISTOR 2SA988-PAFAEA	
Q711	8-729-140-82	TRANSISTOR 2SA988-PAFAEA	
Q712	8-729-119-79	TRANSISTOR 2SC2785-FEK	
Q713	8-729-140-84	TRANSISTOR 2SC1841-PAFAEA	
Q751	8-729-119-76	TRANSISTOR 2SA1175-HFE	
Q752	8-729-141-30	TRANSISTOR 2SC3623A-LK	
Q753	8-749-010-25	TRANSISTOR MN2488-OPY-M	
Q754	8-749-010-26	TRANSISTOR MP1620-OPY-M	
Q755	8-729-140-82	TRANSISTOR 2SA988-PAFAEA	
Q756	8-729-140-82	TRANSISTOR 2SA988-PAFAEA	
Q801	8-729-140-96	TRANSISTOR 2SD774-34	
Q802	8-729-119-79	TRANSISTOR 2SC2785-FEK	
< RESISTOR >			
△R601	1-249-393-11	CARBON 10 5% 1/4W	F
R603	1-249-421-11	CARBON 2. 2K 5% 1/4W	
R604	1-249-414-11	CARBON 560 5% 1/4W	
△R605	1-249-393-11	CARBON 10 5% 1/4W	F
△R606	1-233-352-21	ENCAPSULATED COMPONENT 0. 22 2W	F
R607	1-249-425-11	CARBON 4. 7K 5% 1/4W	
R608	1-249-421-11	CARBON 2. 2K 5% 1/4W	
R609	1-249-431-11	CARBON 15K 5% 1/4W	
R610	1-249-425-11	CARBON 4. 7K 5% 1/4W	
R611	1-249-421-11	CARBON 2. 2K 5% 1/4W	
R612	1-249-431-11	CARBON 15K 5% 1/4W	
△R613	1-249-389-11	CARBON 4. 7 5% 1/4W	F
R614	1-249-439-11	CARBON 68K 5% 1/4W	
△R615	1-249-393-11	CARBON 10 5% 1/4W	F
R617	1-249-437-11	CARBON 47K 5% 1/4W	
R620	1-249-437-11	CARBON 47K 5% 1/4W	
R621	1-249-438-11	CARBON 56K 5% 1/4W	
R623	1-249-413-11	CARBON 470 5% 1/4W	
R624	1-249-437-11	CARBON 47K 5% 1/4W	
△R625	1-249-389-11	CARBON 4. 7 5% 1/4W	F
R626	1-249-438-11	CARBON 56K 5% 1/4W	
△R627	1-249-393-11	CARBON 10 5% 1/4W	F
R631	1-249-429-11	CARBON 10K 5% 1/4W	
R632	1-249-425-11	CARBON 4. 7K 5% 1/4W	
△R633	1-249-411-11	CARBON 330 5% 1/4W	F
△R634	1-249-411-11	CARBON 330 5% 1/4W	F
R635	1-249-429-11	CARBON 10K 5% 1/4W	
R636	1-249-425-11	CARBON 4. 7K 5% 1/4W	
R671	1-249-438-11	CARBON 56K 5% 1/4W	
R673	1-249-413-11	CARBON 470 5% 1/4W	

The components identified by mark **△** or dotted line with mark **△** are critical for safety. Replace only with part number specified.

Les composants identifiés par une marque **△** sont critiques pour la sécurité. Ne les remplacer que par une pièce portant le numéro spécifié.

AMP

AMP JOINT B

AMP JOINT F

AUDIO 2F

Ref. No.	Part No.	Description	Remark			Ref. No.	Part No.	Description	Remark		
R674	1-249-437-11	CARBON	47K	5%	1/4W			< RELAY >			
△R675	1-249-389-11	CARBON	4.7	5%	1/4W	F					
R676	1-249-437-11	CARBON	47K	5%	1/4W		RY601	1-515-765-11	RELAY		
△R677	1-249-393-11	CARBON	10	5%	1/4W	F	RY602	1-515-920-11	RELAY (24V)		
△R701	1-249-393-11	CARBON	10	5%	1/4W	F		< TERMINAL >			
R703	1-249-421-11	CARBON	2.2K	5%	1/4W			* TM601	1-537-882-11	TERMINAL BOARD 6P (SPEAKER)	
R704	1-249-414-11	CARBON	560	5%	1/4W			*****			
△R705	1-249-393-11	CARBON	10	5%	1/4W	F		*	1-656-610-11	AMP JOINT B BOARD	
△R706	1-233-352-21	ENCAPSULATED COMPONENT	0.22	2W		F		*****			
R707	1-249-425-11	CARBON	4.7K	5%	1/4W			< CONNECTOR >			
R708	1-249-421-11	CARBON	2.2K	5%	1/4W		CNP502	1-770-553-11	CONNECTOR, BOARD TO BOARD	11P	
R709	1-249-431-11	CARBON	15K	5%	1/4W		CNP601	1-770-553-11	CONNECTOR, BOARD TO BOARD	11P	
R710	1-249-425-11	CARBON	4.7K	5%	1/4W		*****				
R711	1-249-421-11	CARBON	2.2K	5%	1/4W		*	1-656-609-11	AMP JOINT F BOARD		
R712	1-249-431-11	CARBON	15K	5%	1/4W		*****				
R714	1-249-437-11	CARBON	47K	5%	1/4W			< CONNECTOR >			
△R715	1-249-393-11	CARBON	10	5%	1/4W	F	CNP501	1-770-553-11	CONNECTOR, BOARD TO BOARD	11P	
R719	1-215-868-00	METAL OXIDE	680	5%	1W		CNP701	1-770-553-11	CONNECTOR, BOARD TO BOARD	11P	
R720	1-249-437-11	CARBON	47K	5%	1/4W		*****				
R721	1-249-429-11	CARBON	10K	5%	1/4W		*	1-656-596-11	AUDIO 2F BOARD		
R722	1-249-435-11	CARBON	33K	5%	1/4W		*****				
R723	1-249-427-11	CARBON	6.8K	5%	1/4W			< CAPACITOR >			
R727	1-249-417-11	CARBON	1K	5%	1/4W		C208	1-124-903-11	ELECT	1uF 20% 50V	
R732	1-249-429-11	CARBON	10K	5%	1/4W		C390	1-164-159-11	CERAMIC	0.1uF 50V	
△R751	1-249-393-11	CARBON	10	5%	1/4W	F	C391	1-164-159-11	CERAMIC	0.1uF 50V	
R753	1-249-421-11	CARBON	2.2K	5%	1/4W		C395	1-162-282-31	CERAMIC	100PF 10% 50V	
R754	1-249-414-11	CARBON	560	5%	1/4W		C396	1-162-294-31	CERAMIC	0.001uF 10% 50V	
△R755	1-249-393-11	CARBON	10	5%	1/4W	F		< CONNECTOR >			
△R756	1-233-352-21	ENCAPSULATED COMPONENT	0.22	2W		F	CNJ302	1-695-096-11	SOCKET, CONNECTOR	15P	
R757	1-249-425-11	CARBON	4.7K	5%	1/4W		CNP301	1-695-087-11	PIN, CONNECTOR (PC BOARD)	7P	
R758	1-249-421-11	CARBON	2.2K	5%	1/4W			< IC >			
R759	1-249-431-11	CARBON	15K	5%	1/4W		IC304	8-759-805-14	IC	LC7822	
R760	1-249-425-11	CARBON	4.7K	5%	1/4W			< JACK >			
R761	1-249-421-11	CARBON	2.2K	5%	1/4W		J303	1-580-825-11	JACK, PIN 6P	(TV/LD AUDIO IN, VIDEO2 AUDIO OUT)	
R762	1-249-431-11	CARBON	15K	5%	1/4W		J304	1-580-825-11	JACK, PIN 6P	(VIDEO2 AUDIO IN, VIDEO1 AUDIO IN/OUT)	
R764	1-249-438-11	CARBON	56K	5%	1/4W						
△R765	1-249-393-11	CARBON	10	5%	1/4W	F					
R769	1-215-868-00	METAL OXIDE	680	5%	1W						
R770	1-249-437-11	CARBON	47K	5%	1/4W						
R801	1-249-423-11	CARBON	3.3K	5%	1/4W						
△R802	1-249-409-11	CARBON	220	5%	1/4W	F					
R803	1-215-885-00	METAL OXIDE	68	5%	2W						
R804	1-215-885-00	METAL OXIDE	68	5%	2W						
R807	1-249-425-11	CARBON	4.7K	5%	1/4W						
R808	1-249-429-11	CARBON	10K	5%	1/4W						
△R809	1-249-405-11	CARBON	100	5%	1/4W	F					
△R810	1-249-405-11	CARBON	100	5%	1/4W	F					
△R812	1-249-411-11	CARBON	330	5%	1/4W	F					

<p>The components identified by mark △ or dotted line with mark △ are critical for safety. Replace only with part number specified.</p>	<p>Les composants identifiés par une marque △ sont critiques pour la sécurité. Ne les remplacer que par une pièce portant le numéro spécifié.</p>
---	---

AUDIO 2F**AUDIO JOINT****VIDEO****DISPLAY**

Ref.No.	Part No.	Description	Remark
< RESISTOR >			
R322-327	1-249-417-11	CARBON 1K 5%	1/4W
R372-377	1-249-417-11	CARBON 1K 5%	1/4W
R395	1-249-417-11	CARBON 1K 5%	1/4W
R396	1-249-425-11	CARBON 4.7K 5%	1/4W

*	1-656-597-11	AUDIO JOINT BOARD	*****
< CONNECTOR >			
CNJ301	1-695-092-11	SOCKET, CONNECTOR 7P	*****

*	1-656-598-11	VIDEO BOARD	*****
< CAPACITOR >			
C201-204	1-124-903-11	ELECT 1uF	20% 50V
C205-207	1-124-907-11	ELECT 10uF	20% 50V
C209	1-104-665-11	ELECT 100uF	20% 16V
C211	1-104-665-11	ELECT 100uF	20% 16V
< IC >			
IC201	8-759-061-95	IC SN761200N	
< JACK >			
J201	1-695-317-21	JACK, PIN 2P (MONITOR/TV)	
J202	1-766-199-11	JACK, PIN 3P (LD/VIDEO2)	
J203	1-695-317-21	JACK, PIN 2P (VIDEO1)	
< COIL >			
L201	1-410-521-11	INDUCTOR 100uH	
L202	1-410-521-11	INDUCTOR 100uH	
< TRANSISTOR >			
Q201	8-729-119-76	TRANSISTOR 2SA1175-HFE	
Q202	8-729-119-76	TRANSISTOR 2SA1175-HFE	
Q203-205	8-729-620-05	TRANSISTOR 2SC2603-EF	
Q206	8-729-119-76	TRANSISTOR 2SA1175-HFE	
Q207	8-729-620-05	TRANSISTOR 2SC2603-EF	
< RESISTOR >			
R201-206	1-249-403-11	CARBON 68 5%	1/4W

Ref.No.	Part No.	Description	Remark
R207	1-249-430-11	CARBON 12K 5%	1/4W
R208	1-249-419-11	CARBON 1.5K 5%	1/4W
R209	1-249-426-11	CARBON 5.6K 5%	1/4W
R210	1-249-403-11	CARBON 68 5%	1/4W
R211	1-249-403-11	CARBON 68 5%	1/4W
R212	1-249-430-11	CARBON 12K 5%	1/4W
R213	1-249-419-11	CARBON 1.5K 5%	1/4W
R214	1-249-426-11	CARBON 5.6K 5%	1/4W
R215	1-249-403-11	CARBON 68 5%	1/4W
R216	1-249-403-11	CARBON 68 5%	1/4W
R217	1-249-426-11	CARBON 5.6K 5%	1/4W
R218	1-249-419-11	CARBON 1.5K 5%	1/4W
R219	1-249-430-11	CARBON 12K 5%	1/4W
R220	1-247-807-31	CARBON 100 5%	1/4W
R230	1-249-417-11	CARBON 1K 5%	1/4W
R231	1-249-429-11	CARBON 10K 5%	1/4W

*	A-4377-872-A	DISPLAY BOARD, COMPLETE	*****
< CAPACITOR >			
C100	1-126-096-11	ELECT 10uF	20% 35V
C101	1-126-096-11	ELECT 10uF	20% 35V
C102	1-124-261-00	ELECT 10uF	20% 50V
C103	1-164-159-11	CERAMIC 0.1uF	50V
C104	1-124-261-00	ELECT 10uF	20% 50V
C105	1-104-905-11	DOUBLE LAYERS 0.22F	5.5V
C106	1-164-159-11	CERAMIC 0.1uF	50V
C107	1-124-465-00	ELECT 0.47uF	20% 50V
C108-110	1-164-159-11	CERAMIC 0.1uF	50V
C111	1-162-306-11	CERAMIC 0.01uF	30% 16V
C112	1-164-159-11	CERAMIC 0.1uF	50V
C113	1-164-159-11	CERAMIC 0.1uF	50V
C114	1-162-286-31	CERAMIC 220PF	10% 50V
C115	1-124-589-11	ELECT 47uF	20% 16V
C116-121	1-162-306-11	CERAMIC 0.01uF	30% 16V
C122	1-164-159-11	CERAMIC 0.1uF	50V
< CONNECTOR >			
CN100	1-770-396-11	HOUSING, CONNECTOR (PC BOARD) 3P	
* CN101	1-565-480-11	CONNECTOR, BOARD TO BOARD 4P	
* CN102	1-565-481-11	CONNECTOR, BOARD TO BOARD 5P	
CN103	1-770-398-11	HOUSING, CONNECTOR (PC BOARD) 5P	
CNS100	1-766-034-11	CONNECTOR, FFC (LIF(NON-ZIF)) 21P	
CNS101	1-766-034-11	CONNECTOR, FFC (LIF(NON-ZIF)) 21P	

DISPLAY

Ref. No.	Part No.	Description	Remark
< DIODE >			
D115	8-719-987-63	DIODE 1N4148M	
D116	8-719-987-63	DIODE 1N4148M	
D118	8-719-301-49	LED SEL6810A-CD (INDEX)	
D119	8-719-301-49	LED SEL6810A-CD (TONE)	
D120	8-719-301-49	LED SEL6810A-CD (SUR)	
D124	8-719-301-49	LED SEL6810A-CD (TAPE MONITOR)	
D126	8-719-987-63	DIODE 1N4148M	
D128	8-719-987-63	DIODE 1N4148M	
D130-134	8-719-987-63	DIODE 1N4148M	
< INDICATOR TUBE >			
FL100	1-517-304-11	INDICATOR TUBE, FLUORESCENT	
< IC >			
IC100	8-759-075-35	IC TD62C950RF	
IC101	8-759-635-31	IC M50253P	
IC102	8-749-923-11	IC GPIU58XB	
IC103	8-759-820-62	IC LB1639	
IC104	8-759-336-29	IC MB90673PF-104	
IC105	8-759-075-35	IC TD62C950RF	
IC106	8-759-708-05	IC NJM78L05A	
< COIL >			
L101	1-410-509-11	INDUCTOR 10uH	
< TRANSISTOR >			
Q100	8-729-422-57	TRANSISTOR UN4111	
Q101	8-729-900-80	TRANSISTOR DTC114ES	
Q103	8-729-900-36	TRANSISTOR DTC124ES	
Q104	8-729-119-76	TRANSISTOR 2SA1175-HFE	
Q105	8-729-119-79	TRANSISTOR 2SC2785-FBK	
Q106	8-729-900-80	TRANSISTOR DTC114ES	
< RESISTOR >			
R100	1-249-417-11	CARBON 1K 5% 1/4W	
R101	1-249-437-11	CARBON 47K 5% 1/4W	
R102	1-249-417-11	CARBON 1K 5% 1/4W	
R103	1-249-429-11	CARBON 10K 5% 1/4W	
R104	1-247-807-31	CARBON 100 5% 1/4W	
R105	1-249-437-11	CARBON 47K 5% 1/4W	
R106	1-249-429-11	CARBON 10K 5% 1/4W	
R107	1-249-419-11	CARBON 1.5K 5% 1/4W	
R108	1-249-437-11	CARBON 47K 5% 1/4W	
R110	1-249-429-11	CARBON 10K 5% 1/4W	
R111	1-249-417-11	CARBON 1K 5% 1/4W	

Ref. No.	Part No.	Description	Remark
R113	1-249-425-11	CARBON 4.7K 5% 1/4W	
R114	1-249-441-11	CARBON 100K 5% 1/4W	
R115	1-249-437-11	CARBON 47K 5% 1/4W	
R116-118	1-249-429-11	CARBON 10K 5% 1/4W	
R119	1-249-437-11	CARBON 47K 5% 1/4W	
R120	1-249-417-11	CARBON 1K 5% 1/4W	
R121	1-249-437-11	CARBON 47K 5% 1/4W	
△R122	1-249-385-11	CARBON 2.2 5% 1/6W F	
R123	1-249-437-11	CARBON 47K 5% 1/4W	
△R127	1-249-385-11	CARBON 2.2 5% 1/6W F	
R128-134	1-249-433-11	CARBON 22K 5% 1/4W	
R135-138	1-249-417-11	CARBON 1K 5% 1/4W	
R140-145	1-249-425-11	CARBON 4.7K 5% 1/4W	
R146	1-249-429-11	CARBON 10K 5% 1/4W	
R147-151	1-249-417-11	CARBON 1K 5% 1/4W	
R155	1-249-429-11	CARBON 10K 5% 1/4W	
R157	1-249-429-11	CARBON 10K 5% 1/4W	
R160-165	1-249-441-11	CARBON 100K 5% 1/4W	
< VARIABLE RESISTOR >			
RV101	1-467-808-21	ENCODER, ROTARY (FUNCTION)	
RV102	1-467-809-11	ENCODER, ROTARY (DIGITAL PROCESSING CONTROL (PARAMETER/TONE LEVEL/CHARACTER))	
RV103	1-467-809-11	ENCODER, ROTARY (DIGITAL PROCESSING CONTROL (LEVEL/BASS/TREBLE/POSITION))	
< RELAY >			
RY101	1-515-614-11	RELAY	
< SWITCH >			
S101	1-554-303-21	SWITCH, TACTILE (MEMORY)	
S102	1-554-303-21	SWITCH, TACTILE (DISPLAY)	
S103	1-554-303-21	SWITCH, TACTILE (INDEX SELECT/TUNING+)	
S104	1-554-303-21	SWITCH, TACTILE (INDEX SELECT/TUNING-)	
S105	1-554-303-21	SWITCH, TACTILE (LEVEL)	
S106	1-554-303-21	SWITCH, TACTILE (FM MODE)	
S107	1-554-303-21	SWITCH, TACTILE (FM/AM)	
S108	1-554-303-21	SWITCH, TACTILE (POWER ON/STANDBY)	
S111	1-554-303-21	SWITCH, TACTILE (3)	
S112	1-554-303-21	SWITCH, TACTILE (6)	
S113	1-554-303-21	SWITCH, TACTILE (9)	
S114	1-554-303-21	SWITCH, TACTILE (SHIFT)	
S115	1-554-303-21	SWITCH, TACTILE (PRESET TUNING-)	
S118	1-554-303-21	SWITCH, TACTILE (2)	

The components identified by mark \triangle or dotted line with mark \triangle are critical for safety. Replace only with part number specified.

Les composants identifiés par une marque \triangle sont critiques pour la sécurité. Ne les remplacer que par une pièce portant le numéro spécifié.

DISPLAY

HP

J.T 1 (1)

J.T 1 (2)

J.T 2 (1)

J.T 2 (2)

J.T 2 (3)

MUTE SW

Ref. No.	Part No.	Description	Remark
S119	1-554-303-21	SWITCH, TACTILE (5)	
S120	1-554-303-21	SWITCH, TACTILE (8)	
S121	1-554-303-21	SWITCH, TACTILE (0)	
S122	1-554-303-21	SWITCH, TACTILE (PRESET TUNING+)	
S123	1-554-303-21	SWITCH, TACTILE (MODE SOUND FIELD)	
S124	1-554-303-21	SWITCH, TACTILE (DPC MODE)	
S125	1-554-303-21	SWITCH, TACTILE (1)	
S126	1-554-303-21	SWITCH, TACTILE (4)	
S127	1-554-303-21	SWITCH, TACTILE (7)	
S128	1-554-303-21	SWITCH, TACTILE (DIRECT)	
S129	1-554-303-21	SWITCH, TACTILE (SOUND FIELD ON/OFF)	
S130	1-554-303-21	SWITCH, TACTILE (CENTER MODE)	
S143	1-554-303-21	SWITCH, TACTILE (TAPE)	
S145	1-554-303-21	SWITCH, TACTILE (FUNCTION MODE)	
< VIBRATOR >			
X100	1-567-819-11	VIBRATOR, CERAMIC (4MHz)	

*	1-656-592-11	HP BOARD	

< CONNECTOR >			
CN150	1-770-387-11	PIN, CONNECTOR (PC BOARD) 3P	
< JACK >			
J100	1-568-519-41	JACK, LARGE TYPE (PHONES)	

*	1-656-594-11	J.T 1 (1) BOARD	

< CONNECTOR >			
CNJ902	1-770-568-11	SOCKET 3P	

*	1-656-595-11	J.T 1 (2) BOARD	

*	1-656-604-11	J.T 2 (1) BOARD	

Ref. No.	Part No.	Description	Remark
*	1-656-605-11	J.T 2 (2) BOARD	

< DIODE >			
D908	8-719-014-66	DIODE UZP-5.6B	

*	1-656-606-11	J.T 2 (3) BOARD	

< CONNECTOR >			
CNJ801	1-750-532-11	SOCKET 6P	
* CNP802	1-565-480-11	CONNECTOR, BOARD TO BOARD 4P	
< DIODE >			
D804	8-719-987-63	DIODE 1N4148M	
< FUSE >			
△F801	1-532-748-11	FUSE, GLASS TUBE 6.3A 125V	
△F802	1-532-748-11	FUSE, GLASS TUBE 6.3A 125V	
△F803	1-576-107-11	FUSE (3.15A/250V)	
△F804	1-576-107-11	FUSE (3.15A/250V)	
< RELAY >			
RY801	1-515-894-11	RELAY (US)	
RY851	1-515-918-11	RELAY (Canadian)	
RY852	1-515-918-11	RELAY (Canadian)	

*	1-656-589-11	MUTE SW BOARD	

< CONNECTOR >			
CN105	1-770-399-11	HOUSING, CONNECTOR (PC BOARD) 6P	
* CN152	1-569-799-11	PLUG, CONNECTOR 5P	
< DIODE >			
D106	8-719-301-49	LED SEL6810A-CD (MUTING -20dB)	
D108	8-719-301-49	LED SEL6810A-CD (BASS BOOST)	
< RESISTOR >			
R124	1-249-417-11	CARBON 1K 5% 1/4W	
R125	1-249-429-11	CARBON 10K 5% 1/4W	
R126	1-249-417-11	CARBON 1K 5% 1/4W	
< VARIABLE RESISTOR >			
RV100	1-223-880-11	RES, VAR, CARBON 100K/100K (BALANCE)	

<p>The components identified by mark △ or dotted line with mark △ are critical for safety. Replace only with part number specified.</p>	<p>Les composants identifiés par marque △ sont critiques pour la sécurité. Ne les remplacer que par une pièce portant le numéro spécifié.</p>
---	--

MUTE SW

PHONO

POWER SUPPLY

Ref. No.	Part No.	Description	Remark
		< SWITCH >	
S138	1-554-303-21	SWITCH, TACTILE (MUTING -20dB)	
S146	1-554-303-21	SWITCH, TACTILE (BASS BOOST)	

*	1-656-591-11	PHONO BOARD	

		< CAPACITOR >	
C303	1-162-282-31	CERAMIC 100PF 10% 50V	
C304	1-124-477-11	ELECT 47uF 20% 25V	
C305	1-130-480-00	MYLAR 0.0056uF 5% 50V	
C306	1-130-473-00	MYLAR 0.0015uF 5% 50V	
C307	1-124-907-11	ELECT 10uF 20% 50V	
C308	1-164-159-11	CERAMIC 0.1uF 50V	
C353	1-162-282-31	CERAMIC 100PF 10% 50V	
C354	1-124-477-11	ELECT 47uF 20% 25V	
C355	1-130-480-00	MYLAR 0.0056uF 5% 50V	
C356	1-130-473-00	MYLAR 0.0015uF 5% 50V	
C357	1-124-907-11	ELECT 10uF 20% 50V	
C358	1-164-159-11	CERAMIC 0.1uF 50V	
		< CONNECTOR >	
CNJ303	1-695-095-11	SOCKET, CONNECTOR 13P	
CNJ304	1-695-093-11	SOCKET, CONNECTOR 9P	
CNP302	1-695-091-11	PIN, CONNECTOR (PC BOARD) 15P	
		< IC >	
IC301	8-759-634-51	IC M5218AP	
		< RESISTOR >	
R303	1-249-441-11	CARBON 100K 5% 1/4W	
R304	1-249-416-11	CARBON 820 5% 1/4W	
R305	1-247-897-11	CARBON 560K 5% 1/4W	
R306	1-249-437-11	CARBON 47K 5% 1/4W	
R307	1-249-441-11	CARBON 100K 5% 1/4W	
R308	1-247-807-31	CARBON 100 5% 1/4W	
R353	1-249-441-11	CARBON 100K 5% 1/4W	
R354	1-249-416-11	CARBON 820 5% 1/4W	
R355	1-247-897-11	CARBON 560K 5% 1/4W	
R356	1-249-437-11	CARBON 47K 5% 1/4W	
R357	1-249-441-11	CARBON 100K 5% 1/4W	
R358	1-247-807-31	CARBON 100 5% 1/4W	

Ref. No.	Part No.	Description	Remark
*	1-656-599-11	POWER SUPPLY BOARD	

		< CAPACITOR >	
C901	1-164-097-11	CERAMIC 0.022uF 50V	
C902	1-164-097-11	CERAMIC 0.022uF 50V	
C903	1-124-557-11	ELECT 1000uF 20% 25V	
C904	1-124-903-11	ELECT 1uF 20% 50V	
C905	1-124-902-00	ELECT 0.47uF 20% 50V	
C906	1-124-464-11	ELECT 0.22uF 20% 50V	
C907	1-124-907-11	ELECT 10uF 20% 50V	
C910	1-164-159-11	CERAMIC 0.1uF 50V	
C911	1-164-159-11	CERAMIC 0.1uF 50V	
		< JACK >	
△CJ901	1-540-060-11	OUTLET, AC (POLAR) (AC OUTLET)	
		< CONNECTOR >	
* CNP902	1-564-751-11	PIN, CONNECTOR (WITH LOCK) 2P	
CNP903	1-564-321-00	PIN, CONNECTOR 2P	
CNP905	1-770-412-11	CONNECTOR, BOARD TO BOARD 6P	
		< DIODE >	
D901-904			
	8-719-024-99	DIODE 11ES2-NTA2B	
D905-907			
	8-719-987-63	DIODE 1N4148M	
		< TERMINAL BOARD >	
EB900	1-537-770-21	TERMINAL BOARD, GROUND	
		< FUSE >	
△F901	1-532-748-11	FUSE, GLASS TUBE 6.3A 125V	
		< IC >	
IC901	8-759-333-83	IC NJM2103D	
		< TRANSISTOR >	
Q901	8-729-119-79	TRANSISTOR 2SC2785-FEK	
Q902	8-729-030-18	TRANSISTOR 2SD2525	
		< RESISTOR >	
△R901	1-202-725-00	SOLID 3.3M 10% 1/2W	
R902	1-249-429-11	CARBON 10K 5% 1/4W	
R903	1-249-425-11	CARBON 4.7K 5% 1/4W	
R904	1-249-417-11	CARBON 1K 5% 1/4W	
R905	1-249-429-11	CARBON 10K 5% 1/4W	

<p>The components identified by mark △ or dotted line with mark △ are critical for safety. Replace only with part number specified.</p>	<p>Les composants identifiés par une marque △ sont critiques pour la sécurité. Ne les remplacer que par une pièce portant le numéro spécifié.</p>
---	--

POWER SUPPLY	PS JOINT	SP JOINT	SP SW	SP TERMINAL
---------------------	-----------------	-----------------	--------------	--------------------

Ref. No.	Part No.	Description	Remark
R906	1-249-423-11	CARBON	3.3K 5% 1/4W
R908	1-249-433-11	CARBON	22K 5% 1/4W
R909	1-249-439-11	CARBON	68K 5% 1/4W
R910	1-249-429-11	CARBON	10K 5% 1/4W
R912	1-249-423-11	CARBON	3.3K 5% 1/4W
< RELAY >			
△RY901	1-515-999-11	RELAY, POWER	
< TRANSFORMER >			
△T902	1-450-361-11	TRANSFORMER, POWER	

*	1-656-603-11	PS JOINT BOARD	

< CONECTOR >			
CNJ905	1-770-379-11	CONNECTOR, BOARD TO BOARD 6P	
CNP704	1-695-087-11	PIN, CONNECTOR (PC BOARD) 7P	
CNP803	1-770-407-11	CONNECTOR, BOARD TO BOARD 12P	

*	1-656-602-11	SP JOINT BOARD	

< CONNECTOR >			
CNJ702	1-770-569-11	SOCKET 4P	
< CONNECTOR >			
CNP703	1-770-481-11	PIN, CONNECTOR 4P	

*	1-656-588-11	SP SW BOARD	

< CONNECTOR >			
* CN151	1-565-295-11	PLUG, CONNECTOR 4P	
< DIODE >			
D113	8-719-987-63	DIODE 1N4148M	
D114	8-719-987-63	DIODE 1N4148M	
< SWITCH >			
S100	1-762-268-11	SWITCH, ROTARY (SPEAKERS)	

Ref. No.	Part No.	Description	Remark
*	1-656-601-11	SP TERMINAL BOARD	

< CONNECTOR >			
CNJ703	1-770-569-11	SOCKET 4P	
CNJ704	1-695-092-11	SOCKET, CONNECTOR 7P	
< DIODE >			
D712	8-719-987-63	DIODE 1N4148M	
D762	8-719-987-63	DIODE 1N4148M	
< JACK >			
J701	1-770-377-21	JACK, PIN 1P (MIX OUT)	
< COIL >			
L701	1-420-872-00	COIL, AIR-CORE	
L751	1-420-872-00	COIL, AIR-CORE	
< TRANSISTOR >			
Q714	8-729-119-79	TRANSISTOR 2SC2785-FEK	
Q764	8-729-119-79	TRANSISTOR 2SC2785-FEK	
< RESISTOR >			
△R713	1-249-389-11	CARBON	4.7 5% 1/4W F
R718	1-249-421-11	CARBON	2.2K 5% 1/4W
R724	1-249-429-11	CARBON	10K 5% 1/4W
R725	1-249-425-11	CARBON	4.7K 5% 1/4W
△R726	1-249-411-11	CARBON	330 5% 1/4W F
R729-731			
	1-249-437-11	CARBON	47K 5% 1/4W
R733	1-249-437-11	CARBON	47K 5% 1/4W
△R763	1-249-389-11	CARBON	4.7 5% 1/4W F
R774	1-249-429-11	CARBON	10K 5% 1/4W
R775	1-249-425-11	CARBON	4.7K 5% 1/4W
△R776	1-249-411-11	CARBON	330 5% 1/4W F
< RELAY >			
RY701	1-515-765-11	RELAY	
RY702	1-515-765-11	RELAY	
< SWITCH >			
S701	1-692-196-11	SWITCH, SLIDE (IMPEDANCE SELECTOR)	
< TERMINAL >			
* TM701	1-537-519-11	TERMINAL BOARD (SP) (FRONT SPEAKERS)	

The components identified by mark △ or dotted line with mark △ are critical for safety. Replace only with part number specified.	Les composants identifiés par une marque △ sont critiques pour la sécurité. Ne les remplacer que par une pièce portant le numéro spécifié.
--	--

Ref. No.	Part No.	Description	Remark
*	A-4377-883-A	SURR BOARD, COMPLETE *****	
		< CAPACITOR >	
C301	1-126-163-11	ELECT 4.7uF	20% 50V
C302	1-164-073-11	CERAMIC 100PF	10% 50V
C311-313	1-126-163-11	ELECT 4.7uF	20% 50V
C316	1-164-159-11	CERAMIC 0.1uF	50V
C351	1-126-163-11	ELECT 4.7uF	20% 50V
C352	1-164-073-11	CERAMIC 100PF	10% 50V
C361-363	1-126-163-11	ELECT 4.7uF	20% 50V
C366	1-164-159-11	CERAMIC 0.1uF	50V
C397	1-164-073-11	CERAMIC 100PF	10% 50V
C398	1-164-085-11	CERAMIC 0.001uF	10% 50V
C401	1-164-159-11	CERAMIC 0.1uF	50V
C402	1-164-159-11	CERAMIC 0.1uF	50V
C403	1-136-157-00	FILM 0.022uF	5% 50V
C404	1-136-161-00	FILM 0.047uF	5% 50V
C405	1-104-666-11	ELECT 220uF	20% 10V
C406-409	1-124-907-11	ELECT 10uF	20% 50V
C410	1-104-666-11	ELECT 220uF	20% 10V
C411	1-126-963-11	ELECT 4.7uF	20% 50V
C412	1-126-963-11	ELECT 4.7uF	20% 50V
C413	1-136-165-00	FILM 0.1uF	5% 50V
C414	1-136-165-00	FILM 0.1uF	5% 50V
C415	1-124-902-00	ELECT 0.47uF	20% 50V
C416	1-126-963-11	ELECT 4.7uF	20% 50V
C417	1-124-902-00	ELECT 0.47uF	20% 50V
C418	1-126-963-11	ELECT 4.7uF	20% 50V
C419	1-124-250-11	ELECT 0.15uF	20% 50V
C420	1-126-962-11	ELECT 3.3uF	20% 50V
C421	1-124-250-11	ELECT 0.15uF	20% 50V
C422	1-162-282-31	CERAMIC 100PF	10% 50V
C423	1-104-664-11	ELECT 47uF	20% 16V
C424	1-136-165-00	FILM 0.1uF	5% 50V
C425	1-136-165-00	FILM 0.1uF	5% 50V
C426	1-124-902-00	ELECT 0.47uF	20% 50V
C427	1-126-963-11	ELECT 4.7uF	20% 50V
C428	1-126-963-11	ELECT 4.7uF	20% 50V
C429	1-124-250-11	ELECT 0.15uF	20% 50V
C430	1-124-902-00	ELECT 0.47uF	20% 50V
C431	1-126-962-11	ELECT 3.3uF	20% 50V
C432	1-124-250-11	ELECT 0.15uF	20% 50V
C433	1-104-666-11	ELECT 220uF	20% 10V
C434	1-104-664-11	ELECT 47uF	20% 16V
C435	1-164-159-11	CERAMIC 0.1uF	50V

Ref. No.	Part No.	Description	Remark
C436	1-124-925-11	ELECT 2.2uF	20% 100V
C437	1-104-666-11	ELECT 220uF	20% 10V
C438	1-136-159-00	FILM 0.033uF	5% 50V
C439	1-124-907-11	ELECT 10uF	20% 50V
C440	1-130-469-00	MYLAR 680PF	5% 50V
C441	1-126-963-11	ELECT 4.7uF	20% 50V
C442	1-126-963-11	ELECT 4.7uF	20% 50V
C443	1-164-159-11	CERAMIC 0.1uF	50V
C444	1-126-963-11	ELECT 4.7uF	20% 50V
C445	1-164-159-11	CERAMIC 0.1uF	50V
C446	1-164-159-11	CERAMIC 0.1uF	50V
C447	1-136-173-00	FILM 0.47uF	5% 50V
C450	1-164-159-11	CERAMIC 0.1uF	50V
C451	1-164-159-11	CERAMIC 0.1uF	50V
C452	1-104-666-11	ELECT 220uF	20% 10V
C453	1-136-159-00	FILM 0.033uF	5% 50V
C454	1-130-476-00	MYLAR 0.0027uF	5% 50V
C455	1-136-159-00	FILM 0.033uF	5% 50V
C456	1-124-903-11	ELECT 1uF	20% 50V
C457	1-104-666-11	ELECT 220uF	20% 10V
C472	1-126-163-11	ELECT 4.7uF	20% 50V
C473	1-124-477-11	ELECT 47uF	20% 25V
C491	1-126-963-11	ELECT 4.7uF	20% 50V
C492	1-126-963-11	ELECT 4.7uF	20% 50V
C493	1-164-159-11	CERAMIC 0.1uF	50V
C494	1-126-963-11	ELECT 4.7uF	20% 50V
C495	1-164-159-11	CERAMIC 0.1uF	50V
C499	1-164-159-11	CERAMIC 0.1uF	50V
C501	1-126-963-11	ELECT 4.7uF	20% 50V
C502	1-164-073-11	CERAMIC 100PF	10% 50V
C503	1-102-989-00	CERAMIC 68PF	5% 500V
C504	1-102-989-00	CERAMIC 68PF	5% 500V
C505	1-124-443-00	ELECT 100uF	20% 10V
C506	1-136-159-00	FILM 0.033uF	5% 50V
C507	1-136-171-00	FILM 0.33uF	5% 50V
C508	1-124-910-11	ELECT 47uF	20% 50V
C509	1-136-495-11	FILM 0.068uF	5% 50V
C510	1-136-153-00	FILM 0.01uF	5% 50V
C511	1-130-476-00	MYLAR 0.0027uF	5% 50V
C512	1-136-157-00	FILM 0.022uF	5% 50V
C513	1-164-046-11	CERAMIC 10PF	0.5PF 50V
C514	1-164-046-11	CERAMIC 10PF	0.5PF 50V
C521	1-126-963-11	ELECT 4.7uF	20% 50V
C522	1-164-073-11	CERAMIC 100PF	10% 50V
C523	1-104-664-11	ELECT 47uF	20% 16V
C524	1-102-989-00	CERAMIC 68PF	5% 500V
C525	1-102-989-00	CERAMIC 68PF	5% 500V
C526	1-164-040-11	CERAMIC 4PF	0.25PF 50V
C551	1-126-963-11	ELECT 4.7uF	20% 50V

SURR

Ref.No.	Part No.	Description	Remark
C552	1-164-073-11	CERAMIC	100PF 10% 50V
C553	1-102-989-00	CERAMIC	68PF 5% 500V
C554	1-102-989-00	CERAMIC	68PF 5% 500V
C555	1-124-443-00	ELECT	100uF 20% 10V
C556	1-136-159-00	FILM	0.033uF 5% 50V
C557	1-136-171-00	FILM	0.33uF 5% 50V
C558	1-124-910-11	ELECT	47uF 20% 50V
C559	1-136-495-11	FILM	0.068uF 5% 50V
C560	1-136-153-00	FILM	0.01uF 5% 50V
C561	1-130-476-00	MYLAR	0.0027uF 5% 50V
C562	1-136-157-00	FILM	0.022uF 5% 50V
C563	1-164-046-11	CERAMIC	10PF 0.5PF 50V
C564	1-164-046-11	CERAMIC	10PF 0.5PF 50V
C593	1-124-916-11	ELECT	22uF 20% 63V
C594	1-124-916-11	ELECT	22uF 20% 63V
C595	1-164-159-11	CERAMIC	0.1uF 50V
C596	1-104-664-11	ELECT	47uF 20% 16V
C597	1-104-664-11	ELECT	47uF 20% 16V
C598	1-162-282-31	CERAMIC	100PF 10% 50V
< CONECTOR >			
CNJ299	1-770-832-11	CONNECTOR, BOARD TO BOARD	6P
CNJ501	1-770-404-11	HOUSING, CONNECTOR (PC BOARD)	11P
CNJ502	1-770-404-11	HOUSING, CONNECTOR (PC BOARD)	11P
CNP303	1-695-090-11	PIN, CONNECTOR (PC BOARD)	13P
CNP304	1-695-088-11	PIN, CONNECTOR (PC BOARD)	9P
CNP404	1-695-090-11	PIN, CONNECTOR (PC BOARD)	13P
CNS402	1-764-926-11	CONNECTOR, FFC (LIF(NON-ZIF))	21P
< DIODE >			
D401	8-719-001-30	DIODE	UZL-9H3
D402	8-719-987-63	DIODE	1N4148M
D403	8-719-024-99	DIODE	11ES2-NTA2B
< TERMINAL BOARD >			
EB400	1-537-770-21	TERMINAL BOARD, GROUND	
EB401	1-537-770-21	TERMINAL BOARD, GROUND	
< IC >			
IC302	8-759-634-50	IC	M5218AL
IC303	8-759-634-50	IC	M5218AL
IC305	8-759-805-14	IC	LC7822
IC401	8-759-248-74	IC	LA2785
IC402	8-759-341-23	IC	LV1011
IC403	8-759-634-51	IC	M5218AP
IC501	8-749-920-70	IC	STK-3102-MK3
IC502	8-759-072-32	IC	TC9184P
IC503	8-749-011-16	IC	STK350-230

Ref.No.	Part No.	Description	Remark
< JACK >			
J301	1-691-887-11	JACK, PIN 6P (PHONO/CD/MD, DAT(REC OUT))	
J302	1-580-825-11	JACK, PIN 6P (DAT, MD IN/TAPE REC OUT/IN)	
< COIL >			
L401	1-410-509-11	INDUCTOR	10uH
L402	1-410-509-11	INDUCTOR	10uH
< TRANSISTOR >			
Q301	8-729-141-30	TRANSISTOR	2SC3623A-LK
Q302	8-729-141-30	TRANSISTOR	2SC3623A-LK
Q401	8-729-141-30	TRANSISTOR	2SC3623A-LK
Q402	8-729-141-30	TRANSISTOR	2SC3623A-LK
Q403	8-729-140-96	TRANSISTOR	2SD774-34
Q404-407	8-729-141-30	TRANSISTOR	2SC3623A-LK
Q408-411	8-729-900-63	TRANSISTOR	DTA124ES
Q501	8-729-141-30	TRANSISTOR	2SC3623A-LK
Q502	8-729-202-67	TRANSISTOR	2SK246-GR3
Q551	8-729-141-30	TRANSISTOR	2SC3623A-LK
Q552	8-729-202-67	TRANSISTOR	2SK246-GR3
< RESISTOR >			
R301	1-249-409-11	CARBON	220 5% 1/4W
R302	1-249-441-11	CARBON	100K 5% 1/4W
R310	1-249-421-11	CARBON	2.2K 5% 1/4W
R311-314	1-249-417-11	CARBON	1K 5% 1/4W
R315	1-249-441-11	CARBON	100K 5% 1/4W
R316	1-249-437-11	CARBON	47K 5% 1/4W
R317	1-249-437-11	CARBON	47K 5% 1/4W
R318	1-249-441-11	CARBON	100K 5% 1/4W
R319	1-249-417-11	CARBON	1K 5% 1/4W
R320	1-249-425-11	CARBON	4.7K 5% 1/4W
R321	1-249-429-11	CARBON	10K 5% 1/4W
R351	1-249-409-11	CARBON	220 5% 1/4W
R352	1-249-441-11	CARBON	100K 5% 1/4W
R360	1-249-421-11	CARBON	2.2K 5% 1/4W
R361-364	1-249-417-11	CARBON	1K 5% 1/4W
R365	1-249-441-11	CARBON	100K 5% 1/4W
R366	1-249-437-11	CARBON	47K 5% 1/4W
R367	1-249-437-11	CARBON	47K 5% 1/4W
R368	1-249-441-11	CARBON	100K 5% 1/4W
R369	1-249-417-11	CARBON	1K 5% 1/4W
R370	1-249-425-11	CARBON	4.7K 5% 1/4W
R371	1-249-429-11	CARBON	10K 5% 1/4W

SURR

Ref. No.	Part No.	Description	Remark		
R397	1-249-417-11	CARBON	1K	5%	1/4W
R398	1-249-425-11	CARBON	4.7K	5%	1/4W
R401	1-249-417-11	CARBON	1K	5%	1/4W
R402	1-249-417-11	CARBON	1K	5%	1/4W
R403	1-247-807-31	CARBON	100	5%	1/4W
R404	1-247-807-31	CARBON	100	5%	1/4W
R405	1-249-425-11	CARBON	4.7K	5%	1/4W
R406	1-249-425-11	CARBON	4.7K	5%	1/4W
R407	1-249-417-11	CARBON	1K	5%	1/4W
R408	1-249-431-11	CARBON	15K	5%	1/4W
R409	1-249-407-11	CARBON	150	5%	1/4W
R410	1-249-436-11	CARBON	39K	5%	1/4W
R411	1-249-436-11	CARBON	39K	5%	1/4W
R412	1-247-903-00	CARBON	1M	5%	1/4W
R413	1-249-441-11	CARBON	100K	5%	1/4W
R414	1-249-429-11	CARBON	10K	5%	1/4W
R415	1-249-433-11	CARBON	22K	5%	1/4W
R416	1-249-413-11	CARBON	470	5%	1/4W
R417	1-249-425-11	CARBON	4.7K	5%	1/4W
R418	1-249-413-11	CARBON	470	5%	1/4W
R419	1-249-425-11	CARBON	4.7K	5%	1/4W
R430	1-249-441-11	CARBON	100K	5%	1/4W
R431	1-249-437-11	CARBON	47K	5%	1/4W
R432	1-249-441-11	CARBON	100K	5%	1/4W
R433	1-249-437-11	CARBON	47K	5%	1/4W
R434	1-249-441-11	CARBON	100K	5%	1/4W
R435	1-249-437-11	CARBON	47K	5%	1/4W
R436	1-249-437-11	CARBON	47K	5%	1/4W
R437	1-249-416-11	CARBON	820	5%	1/4W
R438	1-249-429-11	CARBON	10K	5%	1/4W
R440	1-249-429-11	CARBON	10K	5%	1/4W
R441	1-249-417-11	CARBON	1K	5%	1/4W
R442	1-249-417-11	CARBON	1K	5%	1/4W
R443	1-249-433-11	CARBON	22K	5%	1/4W
R463	1-249-441-11	CARBON	100K	5%	1/4W
R464	1-249-429-11	CARBON	10K	5%	1/4W
R465	1-249-433-11	CARBON	22K	5%	1/4W
R466	1-249-413-11	CARBON	470	5%	1/4W
R467	1-249-425-11	CARBON	4.7K	5%	1/4W
R468	1-249-413-11	CARBON	470	5%	1/4W
R469	1-249-425-11	CARBON	4.7K	5%	1/4W
R501	1-249-417-11	CARBON	1K	5%	1/4W
R502	1-249-441-11	CARBON	100K	5%	1/4W
R503	1-249-413-11	CARBON	470	5%	1/4W
R504	1-249-440-11	CARBON	82K	5%	1/4W
R505	1-249-433-11	CARBON	22K	5%	1/4W
R506	1-249-413-11	CARBON	470	5%	1/4W
R507	1-249-427-11	CARBON	6.8K	5%	1/4W
R508	1-247-883-00	CARBON	150K	5%	1/4W

Ref. No.	Part No.	Description	Remark		
R509	1-249-423-11	CARBON	3.3K	5%	1/4W
R510	1-247-903-00	CARBON	1M	5%	1/4W
R511	1-249-441-11	CARBON	100K	5%	1/4W
R512	1-249-426-11	CARBON	5.6K	5%	1/4W
R513	1-249-441-11	CARBON	100K	5%	1/4W
R515	1-249-434-11	CARBON	27K	5%	1/4W
R516	1-249-426-11	CARBON	5.6K	5%	1/4W
R517	1-249-418-11	CARBON	1.2K	5%	1/4W
R518	1-249-415-11	CARBON	680	5%	1/4W
R519	1-249-429-11	CARBON	10K	5%	1/4W
R521	1-249-417-11	CARBON	1K	5%	1/4W
R523	1-249-438-11	CARBON	56K	5%	1/4W
R524	1-249-413-11	CARBON	470	5%	1/4W
R525	1-249-413-11	CARBON	470	5%	1/4W
R526	1-249-437-11	CARBON	47K	5%	1/4W
R551	1-249-417-11	CARBON	1K	5%	1/4W
R552	1-249-441-11	CARBON	100K	5%	1/4W
R553	1-249-413-11	CARBON	470	5%	1/4W
R554	1-249-440-11	CARBON	82K	5%	1/4W
R555	1-249-433-11	CARBON	22K	5%	1/4W
R556	1-249-413-11	CARBON	470	5%	1/4W
R557	1-249-427-11	CARBON	6.8K	5%	1/4W
R558	1-247-883-00	CARBON	150K	5%	1/4W
R559	1-249-423-11	CARBON	3.3K	5%	1/4W
R560	1-247-903-00	CARBON	1M	5%	1/4W
R561	1-249-441-11	CARBON	100K	5%	1/4W
R562	1-249-426-11	CARBON	5.6K	5%	1/4W
R563	1-249-441-11	CARBON	100K	5%	1/4W
R565	1-249-434-11	CARBON	27K	5%	1/4W
R566	1-249-426-11	CARBON	5.6K	5%	1/4W
R567	1-249-418-11	CARBON	1.2K	5%	1/4W
R568	1-249-415-11	CARBON	680	5%	1/4W
R569	1-249-429-11	CARBON	10K	5%	1/4W
△R592	1-249-397-11	CARBON	22	5%	1/4W F
△R593	1-249-397-11	CARBON	22	5%	1/4W F
R594	1-247-903-00	CARBON	1M	5%	1/4W
R595	1-249-425-11	CARBON	4.7K	5%	1/4W
R596	1-249-419-11	CARBON	1.5K	5%	1/4W
R597	1-249-419-11	CARBON	1.5K	5%	1/4W
R598	1-249-425-11	CARBON	4.7K	5%	1/4W
R599	1-249-417-11	CARBON	1K	5%	1/4W
< TERMINAL >					
TM401	1-537-734-11	TERMINAL BOARD, ANT (ANTENNA)			
< TUNER >					
TU401	1-693-286-11	TUNER (FCC)			

<p>The components identified by mark Δ or dotted line with mark Δ are critical for safety. Replace only with part number specified.</p>	<p>Les composants identifiés par une marque Δ sont critiques pour la sécurité. Ne les remplacer que par une pièce portant le numéro spécifié.</p>
---	---

SURR **VIDEO 3** **VOL JOINT** **VOLUME**

Ref.No.	Part No.	Description	Remark
		< VIBRATOR >	
X401	1-579-952-21	VIBRATOR, CERAMIC (8MHz)	

*	1-656-593-11	VIDEO 3 BOARD	

		< CAPACITOR >	
C290	1-164-159-11	CERAMIC 0.1uF	50V
		< CONNECTOR >	
CNP299	1-770-831-11	CONNECTOR, BOARD TO BOARD 6P	
		< JACK >	
J299	1-770-571-11	JACK BLOCK, PIN (L TYPE) 3P	(VIDEO3 INPUT)
		< RESISTOR >	
R299	1-249-403-11	CARBON 68 5% 1/4W	

*	1-656-600-11	VOL JOINT BOARD	

		< CONECTOR >	
CNJ404	1-695-095-11	SOCKET, CONNECTOR 13P	
CNP405	1-695-090-11	PIN, CONNECTOR (PC BOARD) 13P	

*	1-656-590-11	VOLUME BOARD	

		< CONECTOR >	
CNJ405	1-695-095-11	SOCKET, CONNECTOR 13P	
CNP108	1-770-389-11	PIN, CONNECTOR (PC BOARD) 5P	
CNP406	1-770-390-11	PIN, CONNECTOR (PC BOARD) 6P	
		< VARIABLE RESISTOR >	
RV401	1-241-816-11	RES, VAR, CARBON 100KX4 (MASTER VOLUME)	

		MISCELLANEOUS	

12	1-773-718-11	WIRE (FLAT TYPE) (21 CORE)	
15	1-773-709-11	WIRE (FLAT TYPE) (21 CORE)	
52	1-533-293-11	FUSE HOLDER	
△69	1-769-743-11	CORD, POWER	
△T901	1-427-922-12	TRANSFORMER, POWER (US)	

Ref.No.	Part No.	Description	Remark
△T901	1-427-945-11	TRANSFORMER, POWER (Canadian)	

		ACCESSORIES & PACKING MATERIALS	

	1-473-068-11	COMMANDER, STANDARD (RM-P351) (Canadian)	
	1-473-070-11	COMMANDER, STANDARD (RM-U251) (US)	
	1-501-374-11	ANTENNA, LOOP	
	1-501-374-11	ANTENNA, LOOP	
	3-798-889-11	MANUAL, INSTRUCTION	(ENGLISH/FRENCH) (Canadian)
	3-798-949-21	MANUAL, INSTRUCTION (ENGLISH)	
	3-798-949-31	MANUAL, INSTRUCTION (FRENCH) (Canadian)	
	4-925-079-11	COVER (6), BATTERY (FOR RM-P351/U251)	
*	4-952-676-01	CUSHION	
*	4-975-575-01	INDIVIDUAL CARTON	

		HARDWARE LIST	

#1	7-682-548-09	SCREW +BVTT 3×8 (S)	
#2	7-685-646-79	SCREW +BVTP 3×8 TYPE2 IT-3	
#3	7-682-548-04	SCREW +BVTT 3×8 (S)	

<p>The components identified by mark △ or dotted line with mark △ are critical for safety. Replace only with part number specified.</p>	<p>Les composants identifiés par une marque △ sont critiques pour la sécurité. Ne les remplacer que par une pièce portant le numéro spécifié.</p>
---	--

Sony Corporation
Consumer A&V Products Company
Home A&V Products Div.

9-960-248-11

English
 95F027025-1
 Printed in Singapore
 ©1995.6
 Published by Home A&V Products Div.
 Quality Engineering Dept.